



# Swirl diffuser Series SW



# Swirl Diffuser

## Model

**SWF** - Fixed blade swirl diffuser

**SWA** - Adjustable blade swirl diffuser

## Overview

By creating a turbulent cyclone of air, swirl diffusers enable the rapid mixing of supplied air with air already in the room. This makes swirls an extremely effective method of air delivery, especially in offices where draughts must be avoided.

HVC Series SW Swirl diffusers are available with both fixed and adjustable blade set ups, and are sold in a wide variety of sizes designed to fit most modular ceiling types.



## Construction

- Sheet steel construction.
- Fixed and adjustable bladed units available.

## Options and accessories

HVC can supply you a standard swirl diffuser, or a customised unit made to your exact specifications. Please see our list of options and accessories below for an overview of what we can do.

- **Plenum box** – Plenums are of galvanised steel construction, and are available in top or side entry formats, with one or multiple spigots, and can be fire rated or acoustically lined. Please see the ordering codes section for details on how to specify options on plenum boxes.
- **Flap damper** – Housed within the spigot of an attached plenum, a flap damper allows air flow to be altered easily. Can be adjusted with a handle, or a cord can be fitted for remote operation.

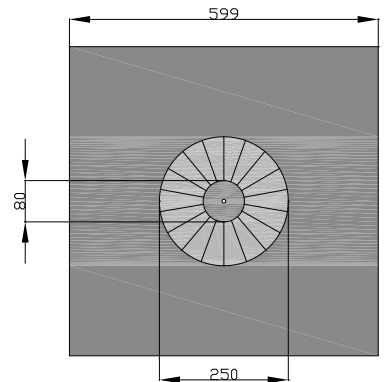
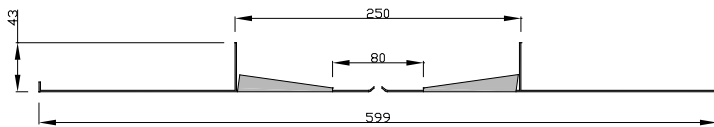


## Technical information

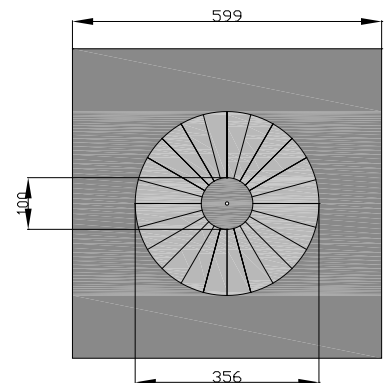
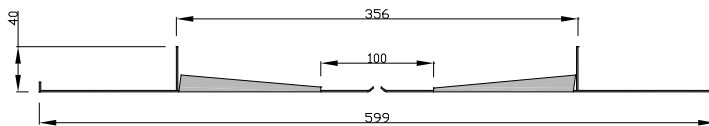
Swirl diffuser cores are traditionally sized imperially, however to retain continuity throughout HVC catalogues metric is used primarily, imperial measurements will still be quoted where suitable.

### Fixed blade range

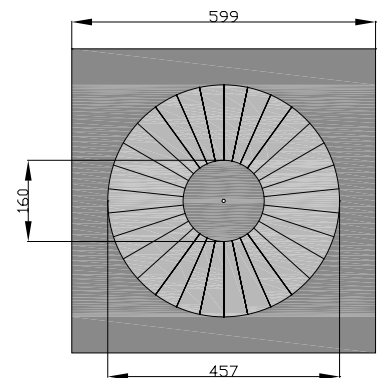
- 250 DIA, 600 x 600 O/A - SWF  
10 inch DIA



- 356 DIA, 600 x 600 O/A - SWF  
14 inch DIA

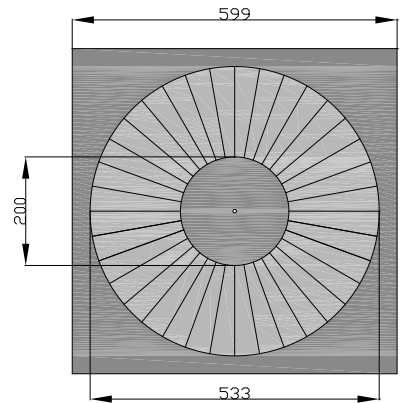
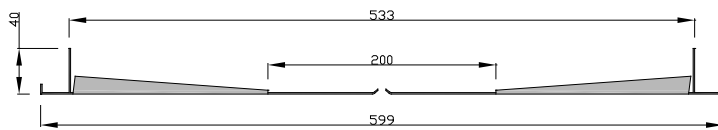


- 457 DIA, 600 x 600 O/A - SWF  
18 inch DIA



- 537 DIA, 600 x 600 O/A - SWF

21 inch DIA

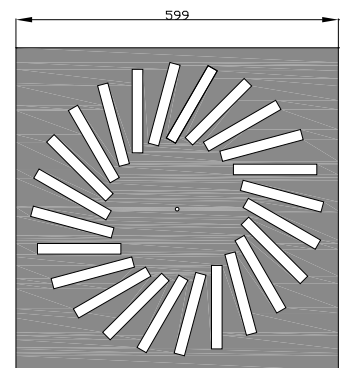
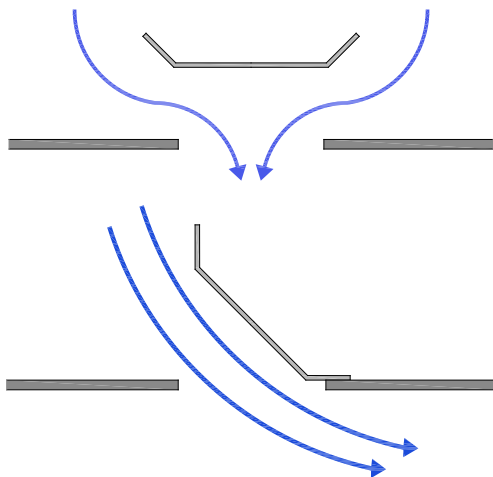


### Adjustable blade range

- 537 DIA, 600 x 600 O/A - SWA

21 inch DIA

HVC Series SWA Adjustable blade swirl diffusers incorporate individually adjustable blades set behind each outlet. These blades can be angled to catch the air and direct it in a swirling pattern, or flattened out giving a more vertical throw.



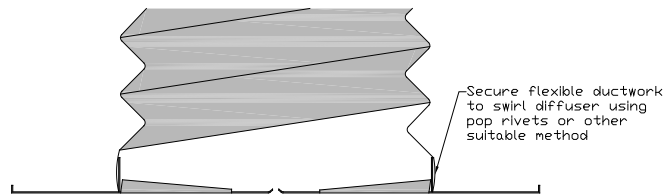
## Installation instructions

All HVC Swirl diffusers are designed to be lay into a pre-prepared ceiling grid.

### Connection directly to ductwork:

The small circular spigot on the back of fixed swirl diffusers, Series SWF, can be used as a fixing point for ductwork.

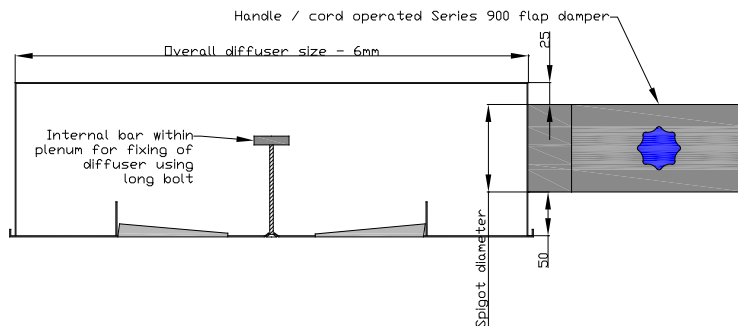
This method of connection means any damping equipment would need to be placed up the airstream in ductwork.



### Plenum box:

HVC can supply plenum boxes fitted or separately, for use with Series SWF and Series SWA swirl diffusers.

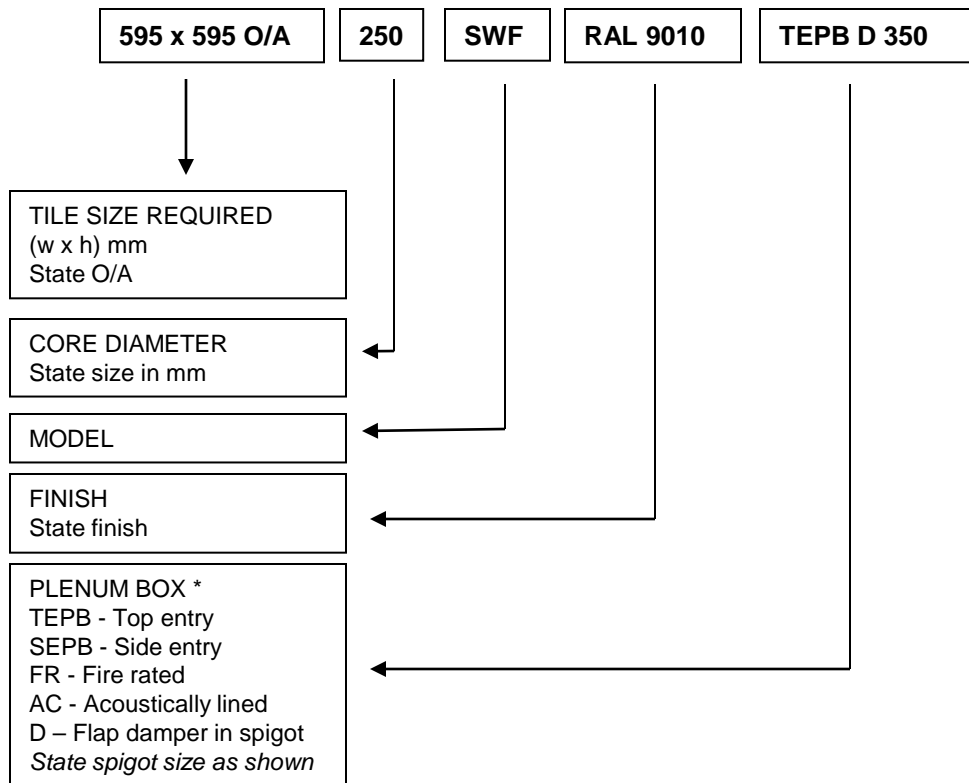
Plenums can be top or side entry, with one or multiple spigots, and fire rated or acoustically lined. Plenums also allow damping equipment to be built into the assembly by housing a Series 900 flap damper within the spigot.



Please note - Diagrams are for illustrative purposes only



## Ordering Codes



\* Plenum boxes are as standard 100mm deep, please state should other depth be required.

HVC Supplies (Stourbridge) Ltd reserves the right to alter, without notice, any specifications issued. Any alterations made will appear on [www.h-v-c.com](http://www.h-v-c.com) as soon as possible.

