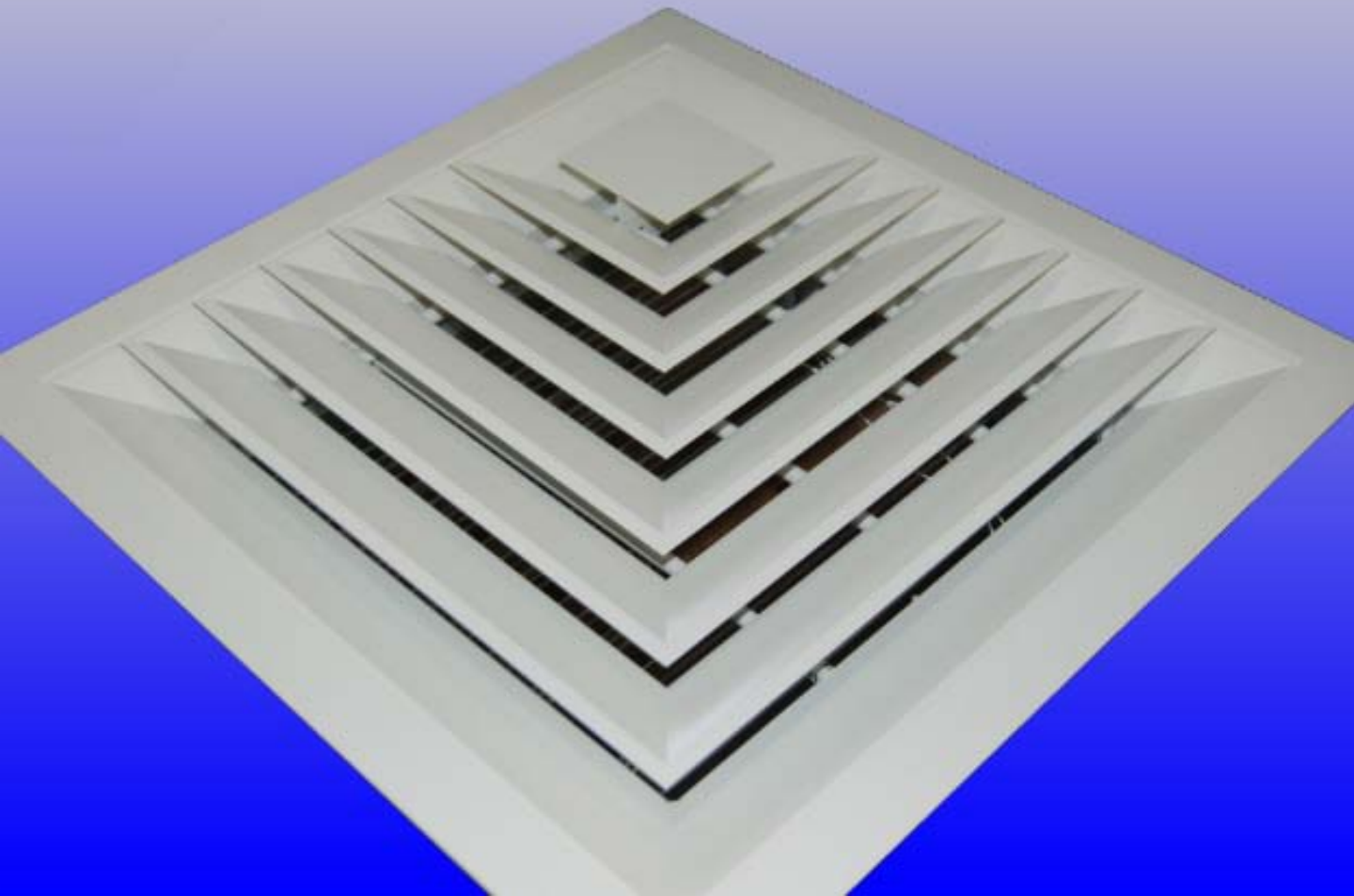




Ceiling diffuser - 2 way blow Series CD2/CD2C



Ceiling diffuser - 2 way blow

Model

CD2

CD2C

Overview

2 way blow ceiling diffusers are best suited to supply applications, their blow pattern making them especially useful in situations like corridors, where air needs to be pushed in 2 opposing directions from a single unit. Corner blow (CD2C) diffusers are also available.



Construction

- Extruded aluminium frame (30mm flat flange) and core.
- Welded corners, reinforced with pressed aluminium corners on frame.
- Removable core utilising spring clips and safety cord as standard

Options and accessories

HVC can supply you a standard 2 way blow ceiling diffuser, or a customised unit made to your exact specifications. Please see our list of options and accessories below for an overview of what we can do.

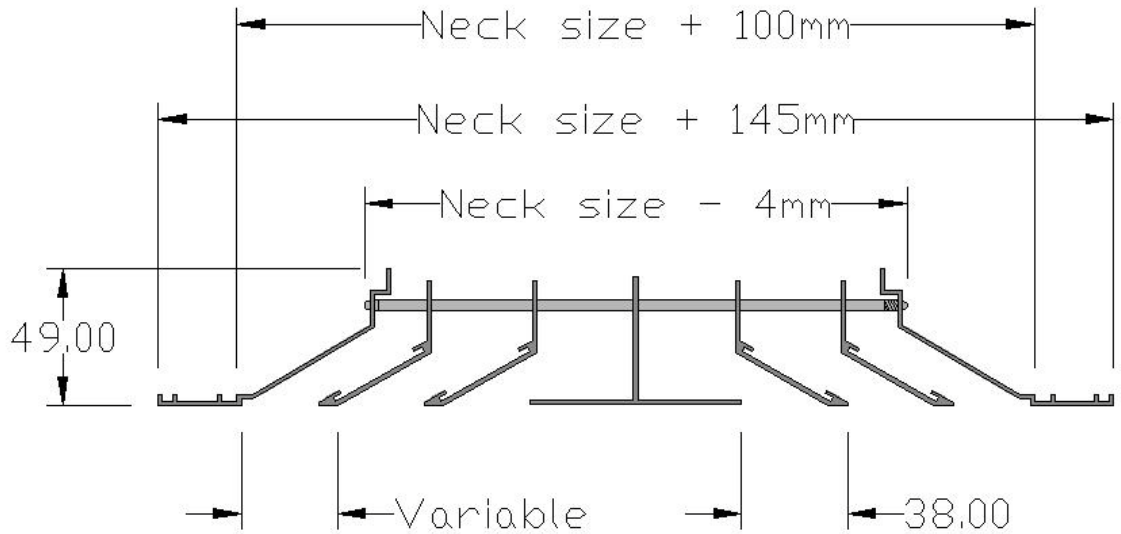
- **Opposed blade damper** - Operated via key/screwdriver, access possible by removing core. Lever operated OBDs can also be fitted to ceiling diffusers, access is also possible by removing the core.
- **Blanking plate** - Blanking plates enable a portion or all of the grille to be disabled. These are useful with CD2s when line of sight through the diffuser is undesirable. However, if air movement is the main criteria our range of 1 way blow ceiling diffusers may be better suited to your needs.
- **Specialised tiles** - HVC can cater for situations where specific tile formats are needed. Please get in touch with our sales team for more information on CD2s fitted into tile layouts such as Burgess clip in systems.



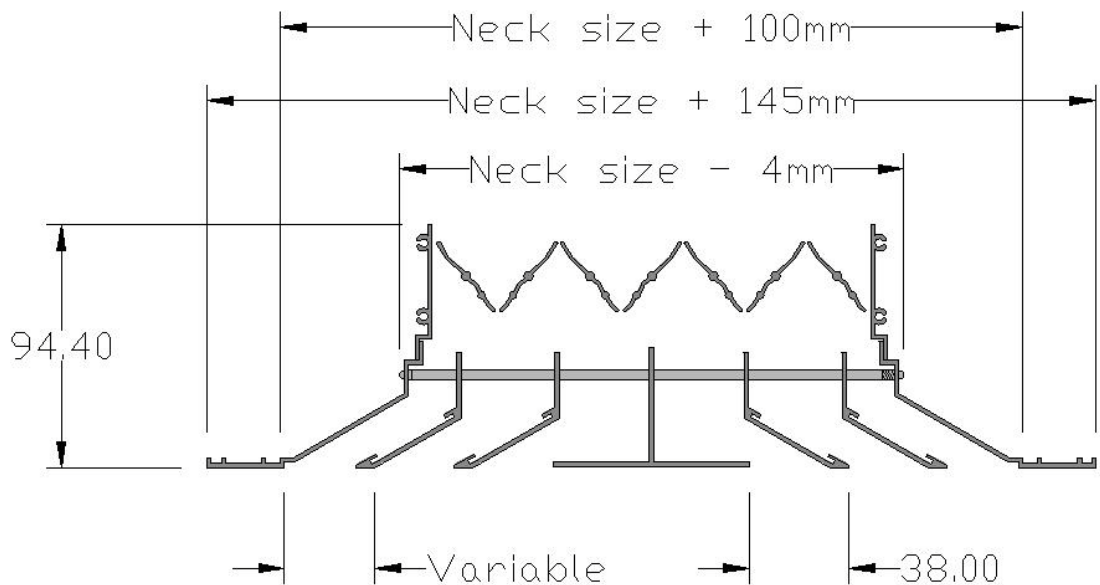
Technical information

- Free area - Approximately 50%
- CD2 Mass / M² - 8.5 KG
- CD2/D Mass / M² - 16 KG

- ___ x ___ - CD2



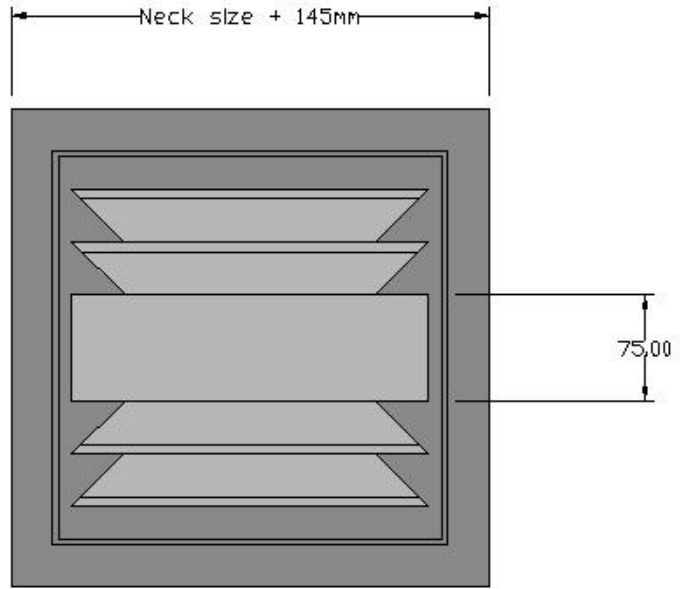
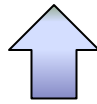
- ___ x ___ - CD2 -D



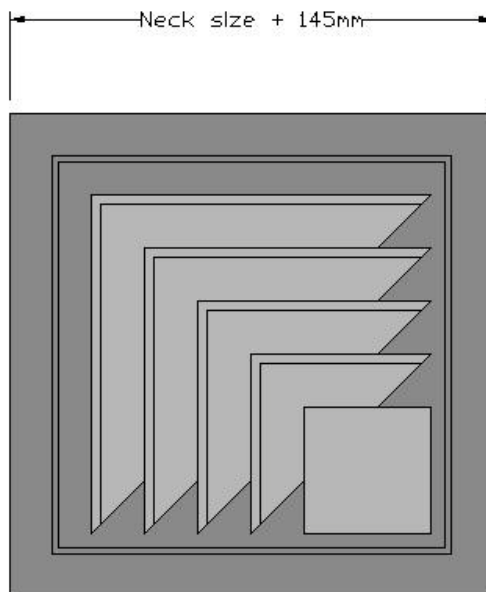
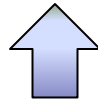
Spacing between frame and outermost blade is variable based on the size of diffuser selected. Never will this gap be large enough to enable line of sight into ductwork / ceiling void from directly below the diffuser.



• ___ x ___ - CD2 / ___ x ___ - CD2 - D



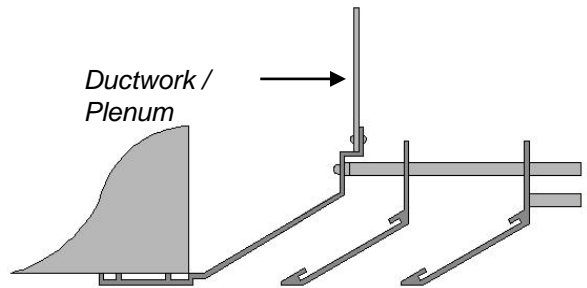
• ___ x ___ - CD2C / ___ x ___ - CD2C - D



Installation instructions

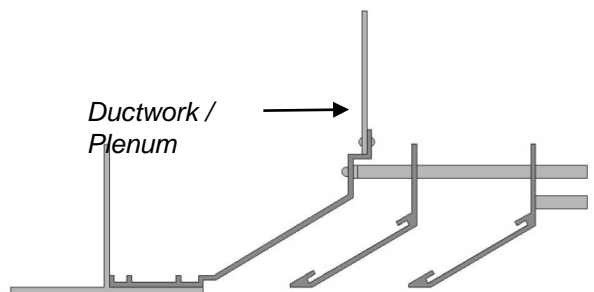
• SURFACE MOUNTED

A surface mounted CD2 must be put into position and then fixed to supporting ductwork or plenum, using pop rivets or another suitable fixing method. This is easiest when the core is removed allowing access through the face of the grille



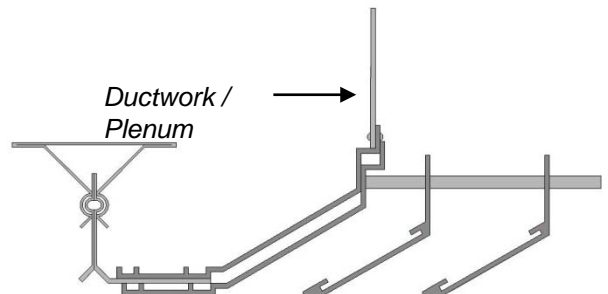
• LAY IN

Simply lay the diffuser into the pre-prepared T bar ceiling grid and then through the face, connect the diffuser to the ductwork.



• BURGESS / OTHER TILE SYSTEM

The diffuser will be fitted into the tile before despatch. Installation then involves simply clipping the burgess tile into the pre-prepared ceiling grid.



Please note - Diagrams are for illustrative purposes only



CD2 – Square sizes

SIZE	AK m sq.	NECK VELOCITY m/s	1.5	2	2.5	3	3.5
		Total Pd mm wg	0.9	1.5	2.3	3.3	4.3
150 x 150	0.0097	m cub/sec	0.0361	0.0472	0.0597	0.0708	0.0833
		Throw min-max (m)	0.9 - 2.4	1.2 - 2.8	1.5 - 3.0	2.2 - 3.4	2.5 - 3.7
		Noise (dB)			20	24	28
225 x 225	0.0219	m cub/sec	0.0805	0.1069	0.1319	0.1611	0.1861
		Throw min-max (m)	1.5 - 3.7	2.1 - 4.3	2.4 - 4.6	3.1 - 5.2	3.7 - 5.5
		Noise (dB)		20	25	29	32
300 x 300	0.0390	m cub/sec	0.1416	0.1888	0.2361	0.2833	0.3305
		Throw min-max (m)	2.2 - 4.9	2.8 - 5.5	3.4 - 6.4	4.0 - 6.7	4.6 - 7.3
		Noise (dB)		23	28	32	35
375 x 375	0.0609	m cub/sec	0.2222	0.2958	0.3680	0.4444	0.5166
		Throw min-max (m)	2.5 - 6.1	3.4 - 7.0	4.3 - 8.0	4.9 - 8.6	5.8 - 9.2
		Noise (dB)		25	30	34	37
450 x 450	0.0878	m cub./sec.	0.3194	0.4250	0.5319	0.6375	0.7444
		Throw min-max (m)	3.1 - 7.3	4.0 - 8.6	4.9 - 9.5	6.1 - 10.4	7.1 - 11.0
		Noise (dB)	21	27	32	35	39
525 x 525	0.1200	m cub./sec.	0.4347	0.5791	0.7222	0.8694	1.0138
		Throw min-max (m)	3.4 - 8.6	4.6 - 9.8	5.8 - 11.0	7.1 - 11.9	8.3 - 12.8
		Noise (dB)	22	28	34	37	41

CD2 – Short blades

SIZE	AK m sq.	NECK VELOCITY m/s	1.5	2	2.5	3	3.5
		Total Pd mm wg	0.9	1.5	2.3	3.3	4.3
225 x 150	0.0097	m cub/sec	0.0361	0.0472	0.0597	0.0708	0.0833
		Throw min-max (m)	0.9 - 2.4	1.2 - 2.8	1.5 - 3.0	2.2 - 3.4	2.5 - 3.7
		Noise (dB)			20	24	28
300 x 150	0.0195	m cub/sec	0.0708	0.0944	0.1180	0.1416	0.1652
		Throw min-max (m)	1.5 - 4.3	1.8 - 4.0	2.4 - 4.3	2.7 - 4.9	3.3 - 5.2
		Noise (dB)			24	28	32
300 x 225	0.0292	m cub/sec	0.1083	0.1416	0.1791	0.2125	0.2500
		Throw min-max (m)	1.8 - 4.3	2.4 - 4.9	3.0 - 5.5	3.3 - 5.8	3.9 - 6.4
		Noise (dB)		22	27	30	34
375 x 225	0.0367	m cub/sec	0.1319	0.1777	0.2222	0.2666	0.3125
		Throw min-max (m)	1.8 - 4.6	2.4 - 5.5	3.3 - 6.1	3.9 - 6.7	4.5 - 7.3
		Noise (dB)		22	27	32	35
375 x 300	0.0487	m cub./sec.	0.1777	0.2361	0.2958	0.3541	0.4138
		Throw min-max (m)	2.8 - 5.5	3.2 - 6.4	4.0 - 7.0	4.6 - 8.0	5.2 - 8.6
		Noise (dB)		24	29	33	36



CD2 – Long blades

SIZE	AK m sq.	NECK VELOCITY m/s	1.5	2	2.5	3	3.5
		Total Pd mm wg	0.9	1.5	2.3	3.3	4.3
225 x 150	0.0147	m cub/sec	0.0541	0.0708	0.0902	0.1069	0.1250
		Throw min-max (m)	1.2 - 3.1	1.5 - 3.4	2.1 - 4.0	2.4 - 4.2	2.7 - 4.6
		Noise (dB)			23	27	30
300 x 150	0.0195	m cub/sec	0.0708	0.0944	0.1180	0.1416	0.1652
		Throw min-max (m)	1.5 - 3.4	1.8 - 4.0	2.4 - 4.3	2.7 - 4.9	3.3 - 5.2
		Noise (dB)			24	28	32
375 x 150	0.0244	m cub/sec	0.0902	0.1180	0.1486	0.1777	0.2083
		Throw min-max (m)	1.5 - 4.3	2.1 - 4.9	2.7 - 5.2	3.0 - 5.8	3.6 - 6.4
		Noise (dB)		20	26	29	33
450 x 150	0.0292	m cub/sec	0.1083	0.1416	0.1791	0.2125	0.2500
		Throw min-max (m)	1.8 - 4.3	2.4 - 4.9	3.0 - 5.5	3.3 - 5.8	4.0 - 6.4
		Noise (dB)		22	27	30	34
300 x 225	0.0292	m cub./sec.	0.1083	0.1416	0.1791	0.2125	0.2500
		Throw min-max (m)	1.8 - 4.3	2.4 - 4.9	3.0 - 5.5	3.3 - 5.8	4.0 - 6.4
		Noise (dB)		22	27	30	34
375 x 225	0.0367	m cub./sec.	0.1319	0.1763	0.2222	0.2666	0.3125
		Throw min-max (m)	1.8 - 4.6	2.4 - 5.5	3.4 - 6.1	4.0 - 6.7	4.6 - 7.4
		Noise (dB)		22	27	32	35
525 x 225	0.0511	m cub./sec.	0.1861	0.2486	0.3097	0.3708	0.4319
		Throw min-max (m)	2.8 - 5.5	3.1 - 6.4	4.0 - 7.0	4.6 - 8.0	5.2 - 8.6
		Noise (dB)		24	29	33	37
375 x 300	0.0487	m cub./sec.	0.1777	0.2361	0.2958	0.3541	0.4138
		Throw min-max (m)	2.8 - 5.5	3.1 - 6.4	4.0 - 7.0	4.6 - 8.0	5.2 - 8.6
		Noise (dB)		24	29	33	36
450 x 300	0.0585	m cub./sec.	0.2125	0.2833	0.3541	0.4250	0.4958
		Throw min-max (m)	2.5 - 5.8	3.4 - 6.7	4.0 - 7.6	4.9 - 8.6	5.8 - 9.2
		Noise (dB)		25	30	33	37
525 x 300	0.0683	m cub./sec.	0.2486	0.3305	0.4138	0.4958	0.5791
		Throw min-max (m)	2.7 - 6.4	3.7 - 7.3	4.3 - 8.3	5.2 - 9.2	6.1 - 9.8
		Noise (dB)	20	26	30	34	37
450 x 375	0.0732	m cub./sec.	0.2666	0.3451	0.4444	0.5336	0.6208
		Throw min-max (m)	2.8 - 6.7	3.7 - 7.7	4.6 - 8.6	5.5 - 9.5	6.4 - 10.1
		Noise (dB)	20	26	31	35	38



CD2C – Square sizes

SIZE	AK m sq.	NECK VELOCITY m/s	1.5	2	2.5	3	3.5
		Total Pd mm wg	0.9	1.5	2.3	3.3	4.3
150 x 150	0.0097	m cub/sec	0.0361	0.0472	0.0597	0.0708	0.0833
		Throw min-max (m)	0.9 - 2.5	1.2 - 2.8	1.6 - 3.0	2.2 - 3.4	2.5 - 3.7
		Noise (dB)			20	24	28
225 x 225	0.0219	m cub/sec	0.0805	0.1069	0.1319	0.1611	0.1875
		Throw min-max (m)	1.6 - 3.7	2.2 - 4.3	2.5 - 4.6	3.0 - 5.2	3.4 - 5.5
		Noise (dB)		20	25	29	32
300 x 300	0.0390	m cub/sec	0.1416	0.1888	0.2361	0.2833	0.3305
		Throw min-max (m)	2.2 - 4.9	2.8 - 5.5	3.4 - 6.4	4.0 - 6.7	4.6 - 7.4
		Noise (dB)		23	28	32	35
375 x 375	0.0609	m cub/sec	0.2222	0.2958	0.3694	0.4444	0.5180
		Throw min-max (m)	2.5 - 6.1	3.4 - 7.1	4.3 - 8.0	4.9 - 8.6	5.8 - 9.2
		Noise (dB)		25	30	34	37
450 x 450	0.0878	m cub./sec.	0.3194	0.4250	0.5319	0.6375	0.7444
		Throw min-max (m)	3.1 - 7.4	4.0 - 8.6	4.9 - 9.5	6.1 - 10.4	7.1 - 11.0
		Noise (dB)	21	27	32	35	39

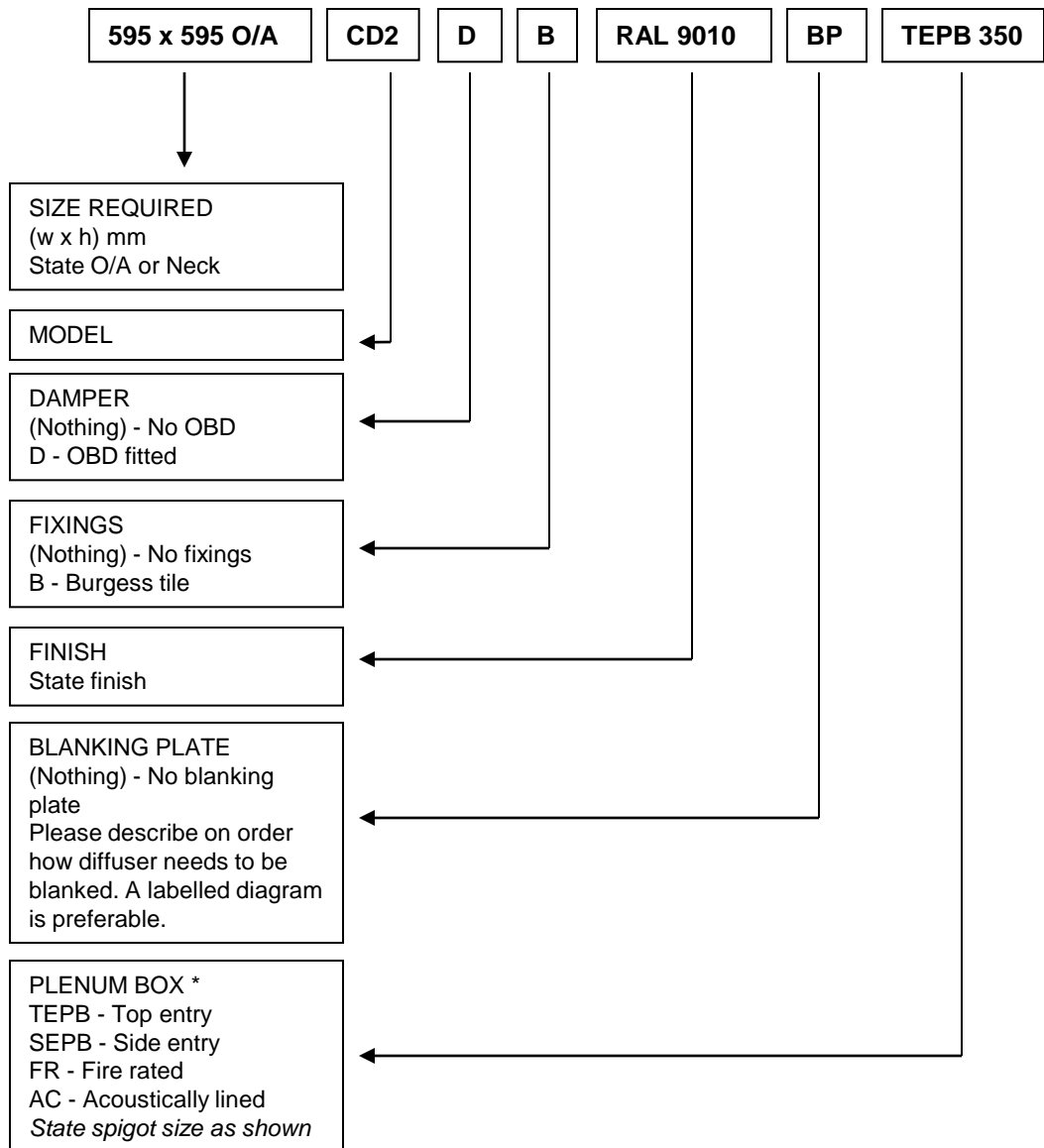


CD2C – Non square sizes

SIZE	AK m sq.	NECK VELOCITY m/s	1.5	2	2.5	3	3.5
		Total Pd mm wg	0.9	1.5	2.3	3.3	4.3
225 x 150	0.0147	m cub./sec.	0.0541	0.0708	0.0902	0.1069	0.1250
		Throw min-max (m) - Shorter side	0.9 - 2.5	1.3 - 2.8	1.9 - 3.1	2.2 - 3.4	2.5 - 3.7
		Throw min-max (m) - Longer side	1.6 - 3.4	1.9 - 4.0	2.5 - 4.3	2.8 - 4.9	3.4 - 5.2
		Noise (dB)			23	27	30
300 x 150	0.0195	m cub./sec.	0.0708	0.0944	0.1180	0.1416	0.1652
		Throw min-max (m) - Shorter side	0.9 - 2.5	1.3 - 2.8	1.9 - 3.1	2.2 - 3.4	2.5 - 3.7
		Throw min-max (m) - Longer side	1.9 - 4.3	2.5 - 4.9	2.8 - 5.5	3.4 - 5.8	4.0 - 6.4
		Noise (dB)			24	28	32
375 x 150	0.0244	m cub./sec.	0.0902	0.118	0.1486	0.1777	0.2083
		Throw min-max (m) - Shorter side	0.9 - 2.5	1.3 - 2.8	1.9 - 3.1	2.2 - 3.4	2.5 - 3.7
		Throw min-max (m) - Longer side	2.2 - 4.9	2.8 - 5.5	3.4 - 6.4	4.0 - 6.7	4.6 - 7.4
		Noise (dB)		20	26	29	33
300 x 225	0.0292	m cub./sec.	0.1083	0.1416	0.1791	0.2125	0.2500
		Throw min-max (m) - Shorter side	1.6 - 3.7	1.9 - 4.3	2.5 - 4.6	3.1 - 5.2	3.4 - 5.5
		Throw min-max (m) - Longer side	2.2 - 4.6	2.8 - 5.5	3.4 - 6.1	4.0 - 6.7	4.6 - 7.3
		Noise (dB)		22	27	30	34
375 x 225	0.0367	m cub./sec.	0.1319	0.1777	0.2222	0.2666	0.3125
		Throw min-max (m) - Shorter side	1.6 - 3.7	1.9 - 4.3	2.5 - 4.6	3.1 - 5.2	3.4 - 5.5
		Throw min-max (m) - Longer side	2.2 - 5.5	3.1 - 6.4	3.7 - 7.0	4.6 - 8.0	5.5 - 8.6
		Noise (dB)		22	27	32	35
375 x 300	0.0487	m cub./sec.	0.1777	0.2361	0.2958	0.3541	0.4138
		Throw min-max (m) - Shorter side	2.2 - 4.9	2.8 - 5.5	3.4 - 6.4	4.0 - 6.7	4.6 - 7.4
		Throw min-max (m) - Longer side	2.5 - 5.8	3.4 - 6.7	4.0 - 7.6	4.9 - 8.6	5.8 - 9.2
		Noise (dB)		24	29	33	36
450 x 300	0.0585	m cub./sec.	0.2125	0.2833	0.3541	0.425	0.4958
		Throw min-max (m) - Shorter side	2.2 - 4.9	2.8 - 5.5	3.4 - 6.4	4.0 - 6.7	4.6 - 7.3
		Throw min-max (m) - Longer side	2.8 - 6.7	3.7 - 8.0	4.6 - 8.9	5.8 - 9.8	6.7 - 10.4
		Noise (dB)		25	30	33	37
450 x 375	0.0732	m cub./sec.	0.2666	0.3451	0.4444	0.5333	0.6208
		Throw min-max (m) - Shorter side	2.5 - 6.1	3.4 - 7.0	4.3 - 8.0	4.9 - 8.6	5.8 - 9.2
		Throw min-max (m) - Longer side	3.1 - 7.0	4.0 - 8.3	4.9 - 9.2	5.8 - 10.1	7.0 - 11.0
		Noise (dB)	20	26	31	35	38



Ordering Codes



* Plenum boxes are as standard 100mm deep, please state should other depth be required.

HVC Supplies (Stourbridge) Ltd reserves the right to alter, without notice, any specifications issued. Any alterations made will appear on www.h-v-c.com as soon as possible.

