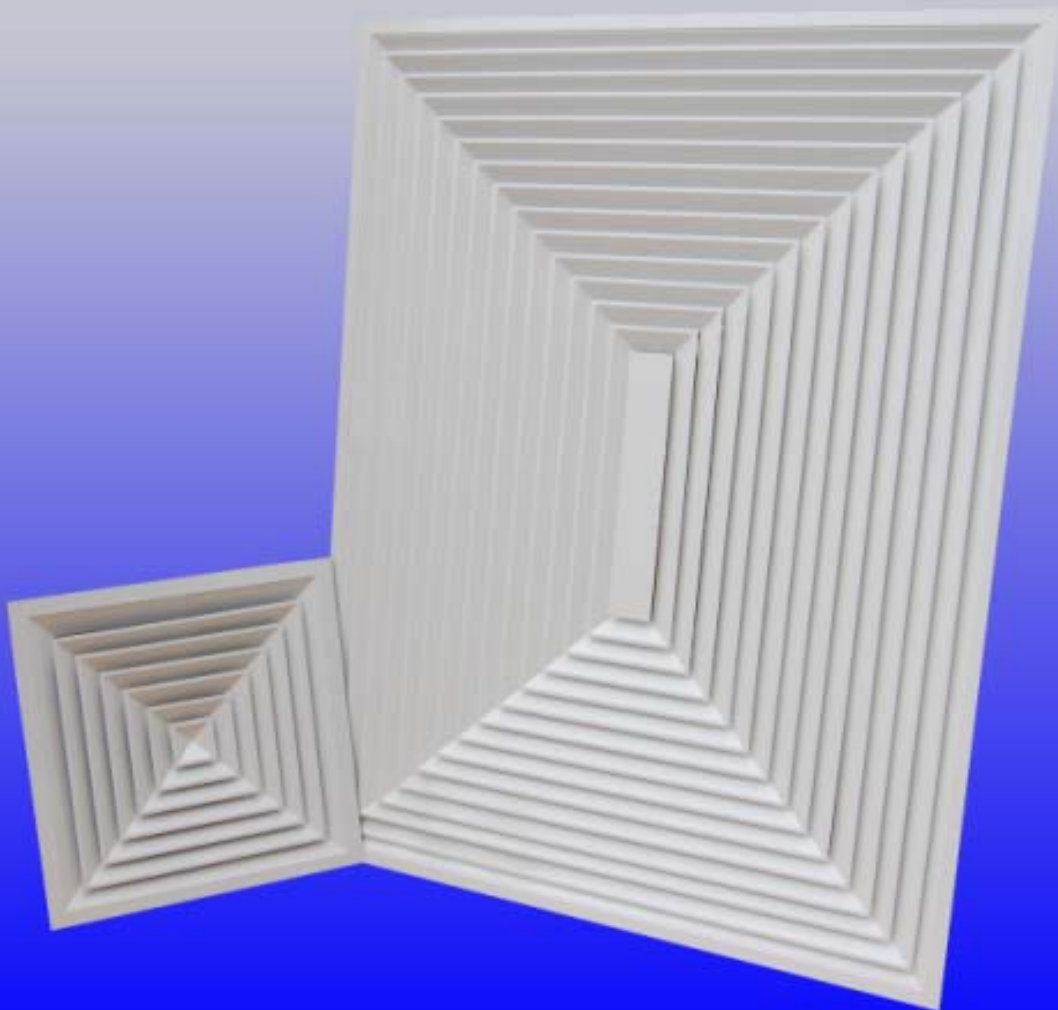




**Ceiling diffuser - 4 way blow
Series CD4**



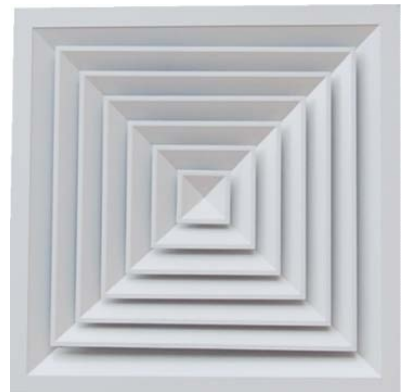
Ceiling diffuser - 4 way blow

Model

CD4

Overview

Ideally suited to supply applications, four way blow ceiling diffusers have been a consistently popular product for many years. Not least thanks to their excellent diffusion characteristics, paired up with an aesthetically pleasing geometric design. All HVC ceiling diffusers come as standard with a fully removable core.



Construction

- Extruded aluminium frame and core.
- Welded and pressed corners.
- Removable core utilising spring clips and safety cord as standard

Options and accessories

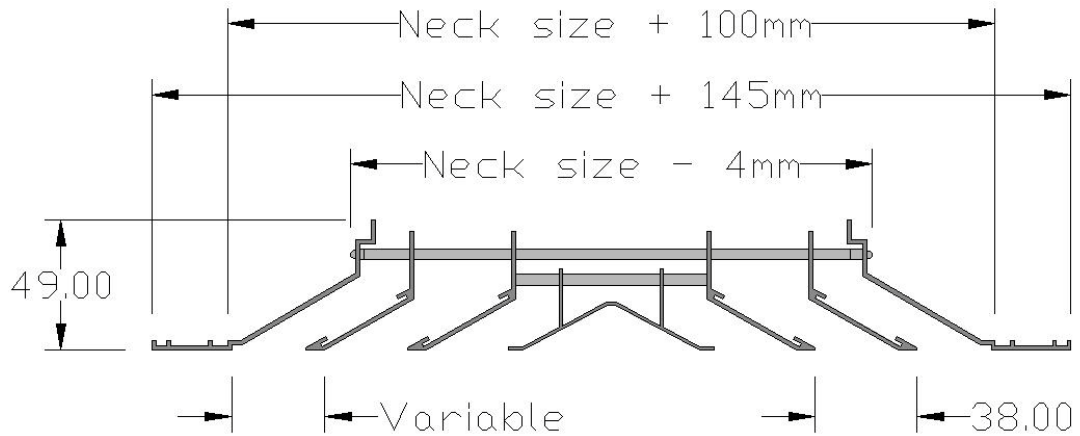
HVC can supply you a standard 4 way blow ceiling diffuser, or a customised unit made to your exact specifications. Please see our list of options and accessories below for an overview of what we can do.

- **Opposed blade damper** - Operated via key/screwdriver, access possible by removing core. . Lever operated OBDs can also be fitted to ceiling diffusers, access is also possible by removing the core.
- **Blanking plate** - Blanking plates enable a portion or all of the grille to be disabled. Useful where a CD4 is being positioned next to a wall or where the diffuser is not going to be connected to ducting and to prevent line of sight to the ceiling void above. Our selection of one, two and three way blows ceiling diffusers may be of more interest in the former situation.
- **Specialised tiles** - HVC can cater for situations where specific tile formats are needed. Please get in touch with our sales team for more information on CD4's fitted into tile layouts such as Burgess clip in systems.



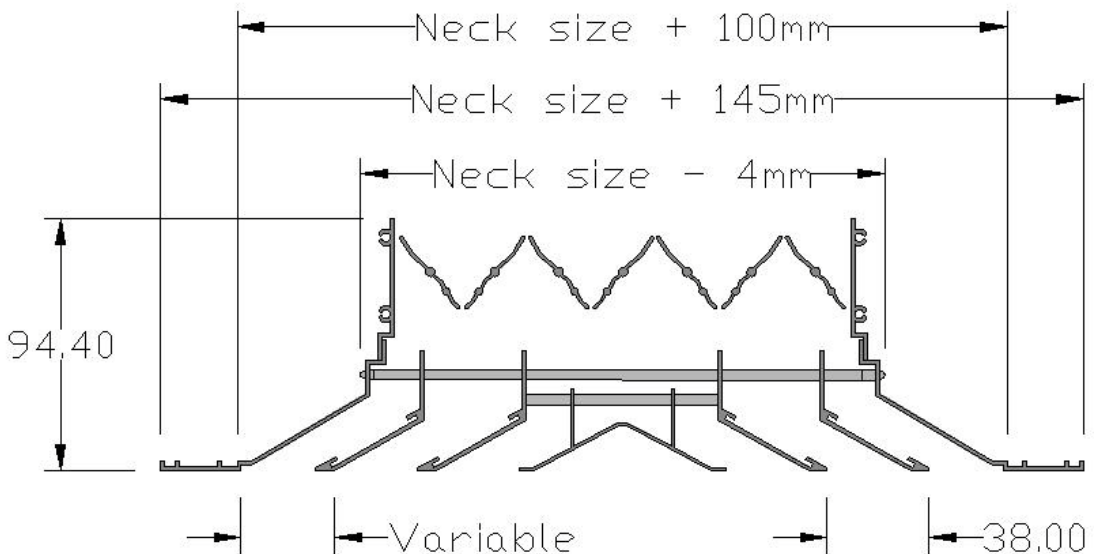
Technical information

- Free area - Approximately 50%
- CD4 Mass / M² - 8.5 KG
- CD4/D Mass / M² - 16 KG
- ___ x ___ - CD4



For example - A 200 x 200 CD4 would refer to neck size. Therefore the overall size would be 345 x 345, and nominal size would be 300 x 300.

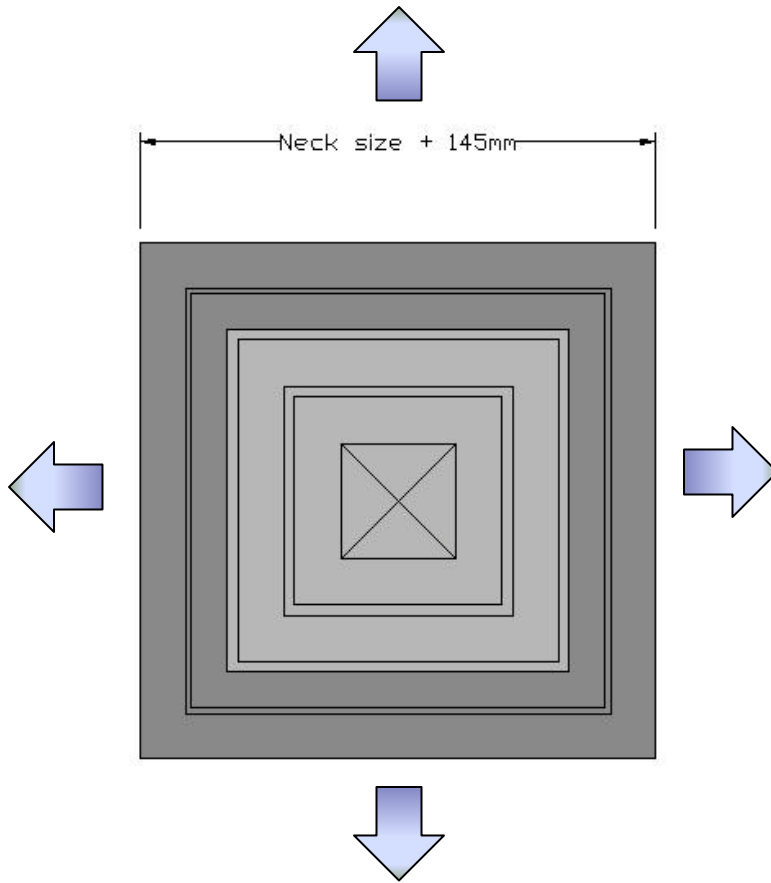
- ___ x ___ - CD4 - D



Spacing between frame and outermost blade is variable based on the size of diffuser selected. Never will this gap be large enough to enable line of sight into ductwork / ceiling void from directly below the diffuser.

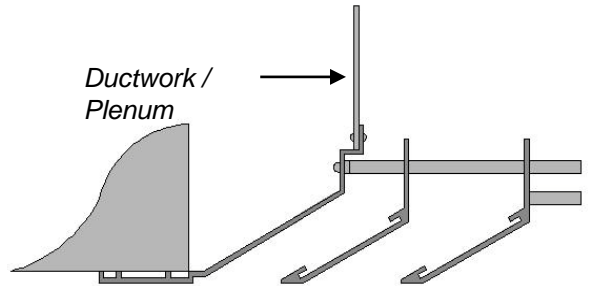


- ___ x ___ - CD4 / ___ x ___ - CD4 - D



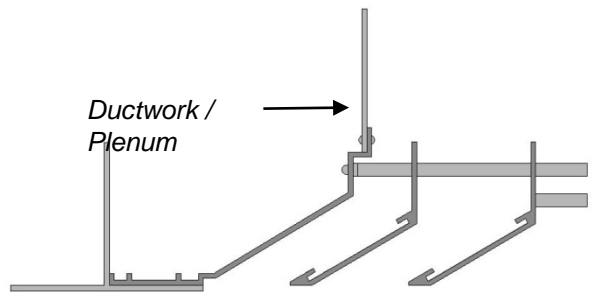
Surface mounted

A surface mounted CD2 must be put into position and then fixed to supporting ductwork or plenum, using pop rivets or another suitable fixing method. This is easiest when the core is removed allowing access through the face of the grille



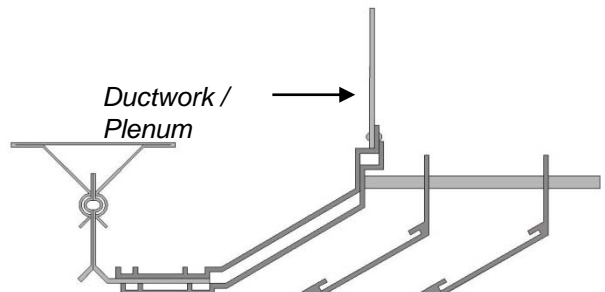
Lay in

Simply lay the diffuser into the pre-prepared T bar ceiling grid and then through the face, connect the diffuser to the ductwork.



Burgess / other tile system

The diffuser will be fitted into the tile before despatch. Installation then involves simply clipping the burgess tile into the pre-prepared ceiling grid.



Please note - Diagrams are for illustrative purposes only



CD4

| SIZE | AK m sq. | NECK VELOCITY m/s | 1.5 | 2 | 2.5 | 3 | 3.5 |
|------------------|---------------|--------------------------|------------|------------|------------|------------|------------|
| | | Total Pd mm wg | 0.9 | 1.5 | 2.3 | 3.3 | 4.3 |
| 150 x 150 | 0.0097 | m cub/sec | 0.0361 | 0.0472 | 0.0597 | 0.0708 | 0.0833 |
| | | Throw min-max (m) | 0.7 - 1.6 | 0.9 - 1.9 | 1.3 - 2.2 | 1.6 - 2.5 | 1.6 - 2.8 |
| | | Noise (dB) | | | | | 19 |
| 225 x 225 | 0.0219 | m cub/sec | 0.0805 | 0.1069 | 0.1319 | 0.1611 | 0.1861 |
| | | Throw min-max (m) | 1.3 - 2.5 | 1.6 - 3.1 | 1.9 - 3.4 | 2.2 - 3.7 | 2.5 - 4.0 |
| | | Noise (dB) | | | | 23 | 27 |
| 300 x 300 | 0.039 | m cub/sec | 0.1416 | 0.1888 | 0.2361 | 0.2833 | 0.3305 |
| | | Throw min-max (m) | 1.6 - 3.4 | 1.9 - 4.0 | 2.5 - 4.3 | 2.9 - 4.9 | 3.4 - 5.2 |
| | | Noise (dB) | | 20 | 25 | 29 | 32 |
| 375 x 375 | 0.0609 | m cub/sec | 0.2222 | 0.2958 | 0.368 | 0.4444 | 0.5166 |
| | | Throw min-max (m) | 1.9 - 4.3 | 2.2 - 4.9 | 3.1 - 5.5 | 3.7 - 6.1 | 4.3 - 6.4 |
| | | Noise (dB) | | 24 | 29 | 33 | 37 |
| 450 x 450 | 0.0878 | m cub./sec. | 0.3194 | 0.425 | 0.5319 | 0.6375 | 0.7444 |
| | | Throw min-max (m) | 2.2 - 5.2 | 2.8 - 5.8 | 3.7 - 6.7 | 4.3 - 7.4 | 4.9 - 8.0 |
| | | Noise (dB) | 22 | 28 | 33 | 36 | 40 |
| 525 x 525 | 0.12 | m cub./sec. | 0.4347 | 0.5791 | 0.7222 | 0.8694 | 1.0138 |
| | | Throw min-max (m) | 2.5 - 6.1 | 3.4 - 7.1 | 4.3 - 7.7 | 4.9 - 8.6 | 5.8 - 9.2 |
| | | Noise (dB) | 25 | 31 | 36 | 39 | 43 |
| 600 x 600 | 0.156 | m cub./sec. | 0.5666 | 0.7555 | 0.9444 | 11.3330 | 13.2220 |
| | | Throw min-max (m) | 2.8 - 6.7 | 4.0 - 8.0 | 4.6 - 4.9 | 5.8 - 9.8 | 6.7 - 10.4 |
| | | Noise (dB) | 27 | 33 | 38 | 43 | 46 |



CD4 – Non square sizes

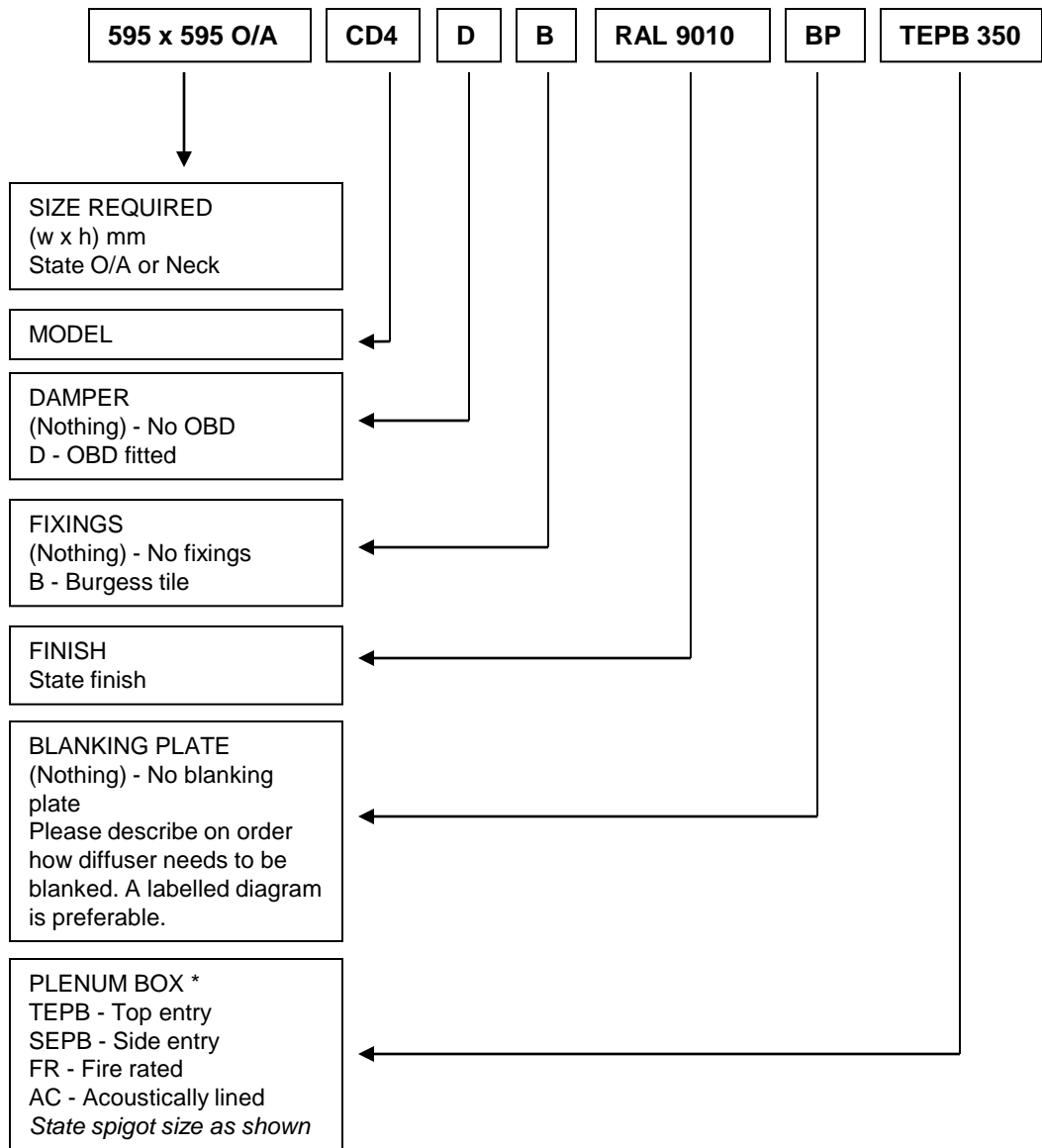
| SIZE | AK m sq. | NECK VELOCITY m/s | 1.5 | 2 | 2.5 | 3 | 3.5 |
|------------------|---------------|----------------------------------|-----------|-----------|-----------|-----------|-----------|
| | | Total Pd mm wg | 0.9 | 1.5 | 2.3 | 3.3 | 4.3 |
| 225 x 600 | 0.0367 | m cub/sec | 0.0541 | 0.0708 | 0.0902 | 0.1069 | 0.125 |
| | | Throw min-max (m) - Shorter side | 0.6 - 1.9 | 0.9 - 1.9 | 1.3 - 2.2 | 1.6 - 2.5 | 1.6 - 2.8 |
| | | Throw min-max (m) - Longer side | 0.9 - 2.5 | 1.3 - 2.8 | 1.3 - 2.8 | 2.2 - 3.4 | 2.5 - 3.7 |
| | | Noise (dB) | | | | | 23 |
| 300 x 150 | 0.0195 | m cub/sec | 0.0708 | 0.0944 | 0.118 | 0.1416 | 0.1652 |
| | | Throw min-max (m) - Shorter side | 0.6 - 1.9 | 0.9 - 1.9 | 1.3 - 2.2 | 1.6 - 2.5 | 1.6 - 2.8 |
| | | Throw min-max (m) - Longer side | 1.3 - 3.1 | 1.6 - 3.4 | 2.2 - 4.0 | 2.5 - 4.3 | 3.1 - 4.6 |
| | | Noise (dB) | | | | 23 | 27 |
| 375 x 150 | 0.0244 | m cub/sec | 0.0902 | 0.118 | 0.1486 | 0.1777 | 0.2083 |
| | | Throw min-max (m) - Shorter side | 0.6 - 1.9 | 0.9 - 1.9 | 1.3 - 2.2 | 1.6 - 2.5 | 1.6 - 2.8 |
| | | Throw min-max (m) - Longer side | 1.6 - 3.4 | 1.9 - 4.0 | 2.5 - 4.3 | 2.8 - 4.9 | 3.4 - 5.2 |
| | | Noise (dB) | | | 20 | 24 | 28 |
| 450 x 150 | 0.0292 | m cub/sec | 0.1083 | 0.1416 | 0.1791 | 0.2125 | 0.25 |
| | | Throw min-max (m) - Shorter side | 0.6 - 1.9 | 0.9 - 1.9 | 1.3 - 2.2 | 1.6 - 2.5 | 1.6 - 2.8 |
| | | Throw min-max (m) - Longer side | 1.6 - 4.0 | 2.2 - 4.6 | 2.8 - 4.9 | 3.1 - 5.5 | 3.7 - 5.8 |
| | | Noise (dB) | | | 22 | 26 | 30 |
| 300 x 225 | 0.0292 | m cub/sec | 0.1083 | 0.1416 | 0.1791 | 0.2125 | 0.25 |
| | | Throw min-max (m) - Shorter side | 0.9 - 2.5 | 1.6 - 3.1 | 1.9 - 3.4 | 2.2 - 3.7 | 2.5 - 4.0 |
| | | Throw min-max (m) - Longer side | 1.6 - 3.4 | 1.9 - 4.0 | 2.5 - 4.3 | 2.8 - 4.6 | 3.1 - 5.2 |
| | | Noise (dB) | | | 22 | 26 | 30 |
| 375 x 225 | 0.0367 | m cub/sec | 0.1319 | 0.1777 | 0.2222 | 0.2666 | 0.3111 |
| | | Throw min-max (m) - Shorter side | 0.9 - 2.5 | 1.6 - 3.1 | 1.9 - 3.4 | 2.2 - 3.7 | 2.5 - 4.0 |
| | | Throw min-max (m) - Longer side | 1.6 - 4.0 | 2.2 - 4.6 | 2.8 - 5.2 | 3.4 - 5.5 | 3.7 - 6.1 |
| | | Noise (dB) | | 20 | 24 | 28 | 32 |



| | | | | | | | |
|------------------|---------------|---|-----------|-----------|-----------|-----------|------------|
| 600 x 225 | 0.0585 | m cub/sec | 0.2125 | 0.2833 | 0.3541 | 0.425 | 0.4958 |
| | | Throw min-max (m) - Shorter side | 0.9 - 2.5 | 1.6 - 3.1 | 1.9 - 3.4 | 2.2 - 3.7 | 2.5 - 4.0 |
| | | Throw min-max (m) - Longer side | 2.2 - 5.5 | 3.1 - 6.1 | 3.7 - 7.1 | 4.3 - 7.7 | 5.2 - 8.3 |
| | | Noise (dB) | | 24 | 28 | 33 | 33 |
| 375 x 300 | 0.0489 | m cub/sec | 0.1777 | 0.2361 | 0.2958 | 0.3541 | 0.4138 |
| | | Throw min-max (m) - Shorter side | 1.6 - 3.4 | 1.9 - 4.0 | 2.5 - 4.3 | 2.8 - 4.9 | 3.4 - 5.2 |
| | | Throw min-max (m) - Longer side | 1.9 - 4.3 | 2.5 - 4.9 | 3.1 - 5.5 | 3.4 - 5.8 | 4.0 - 6.1 |
| | | Noise (dB) | | 22 | 27 | 31 | 34 |
| 450 x 300 | 0.0585 | m cub/sec | 0.2125 | 0.2833 | 0.3541 | 0.425 | 0.4958 |
| | | Throw min-max (m) - Shorter side | 1.6 - 3.4 | 1.9 - 4.0 | 2.5 - 4.3 | 2.8 - 4.9 | 3.4 - 5.2 |
| | | Throw min-max (m) - Longer side | 2.2 - 4.9 | 2.8 - 5.5 | 3.4 - 6.4 | 4.0 - 6.7 | 4.6 - 7.4 |
| | | Noise (dB) | | 24 | 28 | 33 | 36 |
| 525 x 300 | 0.0683 | m cub/sec | 0.2486 | 0.3305 | 0.4138 | 0.4958 | 0.5791 |
| | | Throw min-max (m) - Shorter side | 1.6 - 3.4 | 1.9 - 4.0 | 2.5 - 4.3 | 2.8 - 4.9 | 3.4 - 5.2 |
| | | Throw min-max (m) - Longer side | 2.2 - 5.5 | 3.1 - 6.4 | 6.7 - 7.1 | 4.6 - 7.7 | 5.2 - 8.3 |
| | | Noise (dB) | | 25 | 30 | 34 | 37 |
| 600 x 300 | 0.078 | m cub/sec | 0.2833 | 0.3777 | 0.4722 | 0.5666 | 0.6611 |
| | | Throw min-max (m) - Shorter side | 1.9 - 3.4 | 1.9 - 4.0 | 2.5 - 4.3 | 2.8 - 4.9 | 3.4 - 5.2 |
| | | Throw min-max (m) - Longer side | 2.5 - 5.8 | 3.4 - 6.7 | 4.0 - 7.7 | 4.9 - 8.6 | 5.8 - 9.2 |
| | | Noise (dB) | 21 | 27 | 32 | 35 | 38 |
| 450 x 375 | 0.0732 | m cub/sec | 0.2666 | 0.3541 | 0.4444 | 0.5333 | 0.6208 |
| | | Throw min-max (m) - Shorter side | 1.9 - 4.3 | 2.5 - 4.9 | 3.1 - 5.5 | 3.7 - 6.1 | 4.3 - 6.4 |
| | | Throw min-max (m) - Longer side | 2.2 - 5.2 | 2.8 - 5.8 | 3.7 - 6.4 | 4.3 - 7.1 | 4.9 - 7.7 |
| | | Noise (dB) | 20 | 26 | 31 | 35 | 38 |
| 525 x 375 | 0.0854 | m cub/sec | 0.3097 | 0.4138 | 0.5166 | 0.6208 | 0.7222 |
| | | Throw min-max (m) - Shorter side | 1.9 - 4.3 | 2.5 - 4.9 | 3.1 - 5.5 | 3.7 - 6.1 | 4.3 - 6.4 |
| | | Throw min-max (m) - Longer side | 2.5 - 5.8 | 3.1 - 6.7 | 4.0 - 7.4 | 4.9 - 8.3 | 5.5 - 8.9 |
| | | Noise (dB) | 21 | 27 | 32 | 36 | 40 |
| 600 x 375 | 0.0975 | m cub/sec | 0.3541 | 0.4722 | 0.5902 | 0.7083 | 0.8263 |
| | | Throw min-max (m) - Shorter side | 1.9 - 4.3 | 2.5 - 4.9 | 3.1 - 5.5 | 3.7 - 6.1 | 4.3 - 6.4 |
| | | Throw min-max (m) - Longer side | 2.8 - 6.4 | 3.4 - 7.4 | 4.3 - 8.3 | 5.2 - 8.9 | 6.1 - 9.8 |
| | | Noise (dB) | 22 | 29 | 33 | 37 | 41 |
| 525 x 450 | 0.102 | m cub/sec | 0.3736 | 0.4958 | 0.6208 | 0.7458 | 0.8694 |
| | | Throw min-max (m) - Shorter side | 2.2 - 5.2 | 2.8 - 5.8 | 3.4 - 6.7 | 4.3 - 7.4 | 4.9 - 8.0 |
| | | Throw min-max (m) - Longer side | 2.5 - 5.8 | 3.4 - 6.7 | 4.0 - 7.7 | 4.9 - 8.6 | 5.8 - 9.2 |
| | | Noise (dB) | 23 | 29 | 34 | 38 | 41 |
| 600 x 450 | 0.117 | m cub/sec | 0.425 | 0.5666 | 0.7083 | 0.85 | 0.9916 |
| | | Throw min-max (m) - Shorter side | 2.2 - 5.2 | 2.8 - 5.8 | 3.4 - 6.7 | 4.3 - 7.4 | 4.9 - 8.0 |
| | | Throw min-max (m) - Longer side | 2.8 - 6.4 | 3.7 - 7.7 | 4.6 - 8.6 | 5.5 - 9.5 | 6.4 - 10.1 |
| | | Noise (dB) | 24 | 31 | 36 | 39 | 43 |
| 600 x 525 | 0.136 | m cub/sec | 0.4958 | 0.6611 | 0.8263 | 0.9916 | 1.1569 |
| | | Throw min-max (m) - Shorter side | 2.5 - 6.1 | 3.4 - 7.1 | 4.3 - 7.7 | 4.9 - 8.6 | 5.8 - 9.2 |
| | | Throw min-max (m) - Longer side | 2.8 - 6.7 | 3.7 - 8.0 | 4.6 - 8.9 | 5.5 - 9.8 | 6.4 - 10.4 |
| | | Noise (dB) | 26 | 32 | 37 | 41 | 44 |



Ordering Codes



* Plenum boxes are as standard 100mm deep, please state should other depth be required.

HVC Supplies (Stourbridge) Ltd reserves the right to alter, without notice, any specifications issued. Any alterations made will appear on www.h-v-c.com as soon as possible.

