



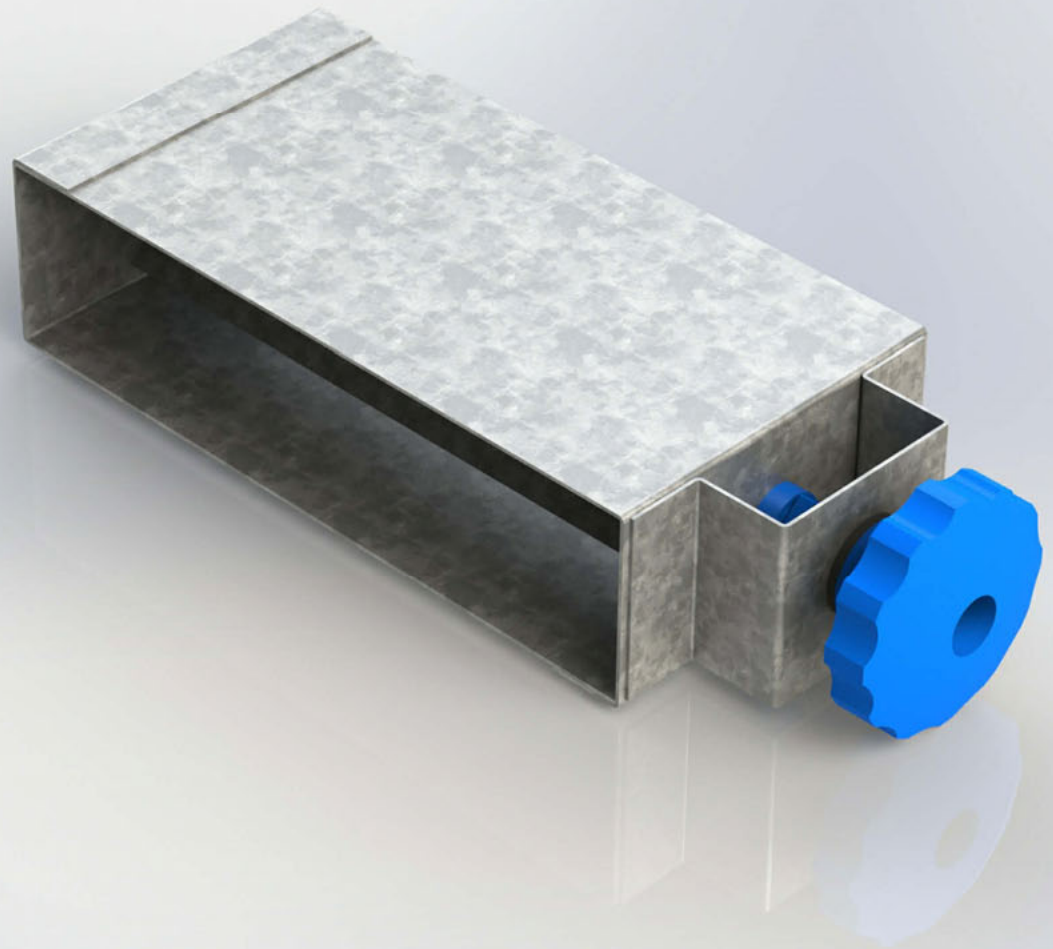
Volume Control Dampers

Incorporating



NCA Series RSBD Rectangular single blade dampers

- Designed to suit small rectangular plastic ducting commonly used in residential buildings.
- Manually operated and lockable.
- Galvanised steel construction as standard, stainless steel optional.



NCA Series RSBD

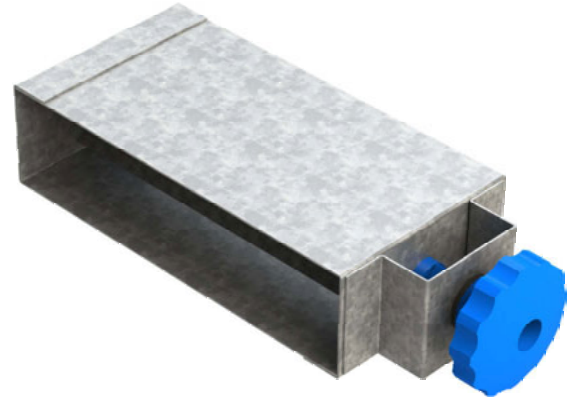
Small scale rectangular plastic ducting is becoming commonplace in new build homes as increasing demands for energy efficiency and clean air lead to more homes being equipped with heat recovery systems.

Rectangular single blade dampers are designed specifically to suit these types of ductwork, allowing airflow through air terminals to be adjusted to suit the location within the building.

The damper is designed to be a male fit to all common sizes of plastic ductwork, and is adjusted using an ergonomic blue plastic handle, which is lockable with a screw in the centre of the handle.

Manufactured from galvanised steel as standard, stainless steel construction is optional with grades 430, 304 and 316 (marine specification) available for increased corrosion resistance.

Dampers are available in three standard sizes, but can be manufactured in any size to order.



Design features

Material	Standard: Galvanised steel frame and blade
	Optional: Stainless steel - Grades 430, 304 and 316 marine spec available
	Plastic handle and drive parts
Sizes	3 standard sizes, male fit, see overleaf
Finish	Bare metal
Mass/m² face area	Approx 1 kg
Free area	80% maximum

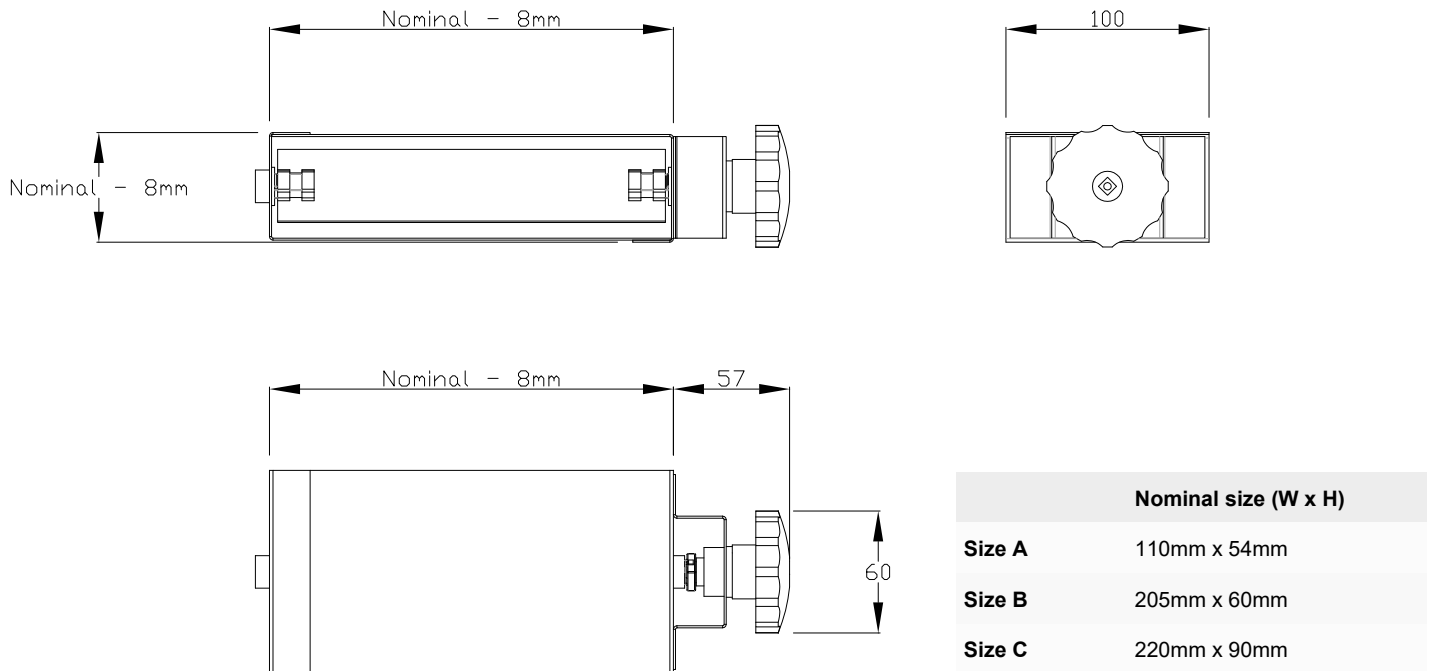
Quality assurance

HVC Supplies (Stourbridge) Ltd is an ISO 9001 certified company.



Assessed to ISO 9001
Cert/Ref No. 1186

Technical drawings



Sizes shown are standard, other sizes can be manufactured on request.

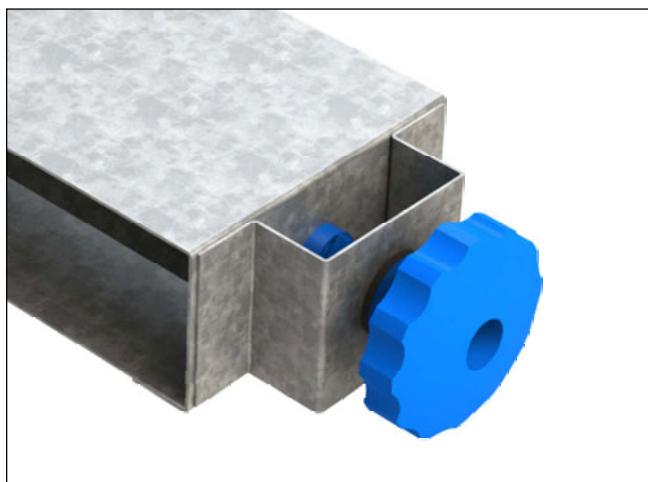
Control options

Manual plastic handles (standard)

Standard control method on Series RSBD dampers.

The blue nylon handle is ergonomically designed for ease of use. An embossed arrow on the handle, and a sticker on the handle mounting plate show blade position without needing to look inside the duct.

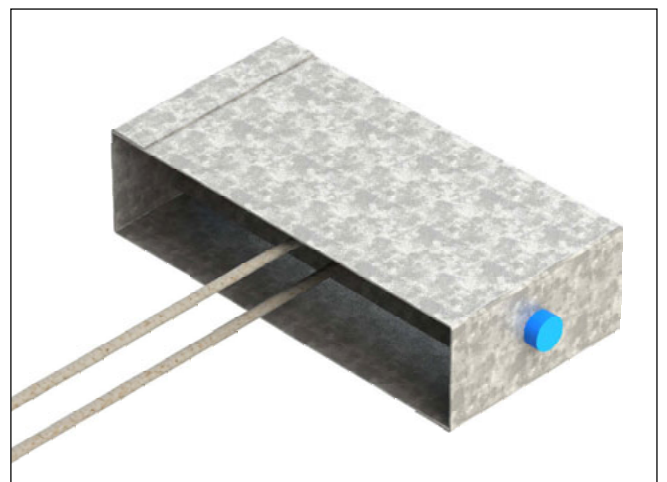
Lockable with a single pozidrive screw in the handle centre (supplied).



Cord operated (optional)

For installations where a plastic handle mounted on the side of the damper may be inaccessible, the damper can be manufactured with cord operation.

A white nylon cord (shown grey for clarity below) of specified length will be attached directly to the damper blade, enabling blade position adjustment from a more accessible location.



Finish

Bare metal only



Ordering codes

Example

1 - Size A - RSBD - S - SS316

Codes

1)	Quantity		
2)	Size		Size code or nominal size if different
3)	Series	RSBD	Rectangular single blade damper
4)	Control	<i>*nothing*</i> Cord-op (x)m	Lockable plastic handle (standard) Cord operated - State drop required in metres
4)	Material	<i>*nothing*</i> S	Galvanised steel throughout Stainless steel throughout
5)	Stainless steel grade	SS304 SS316 SS430	Grade 304 stainless steel Grade 316 stainless steel (marine grade, high corrosion resistance) Grade 430 stainless steel

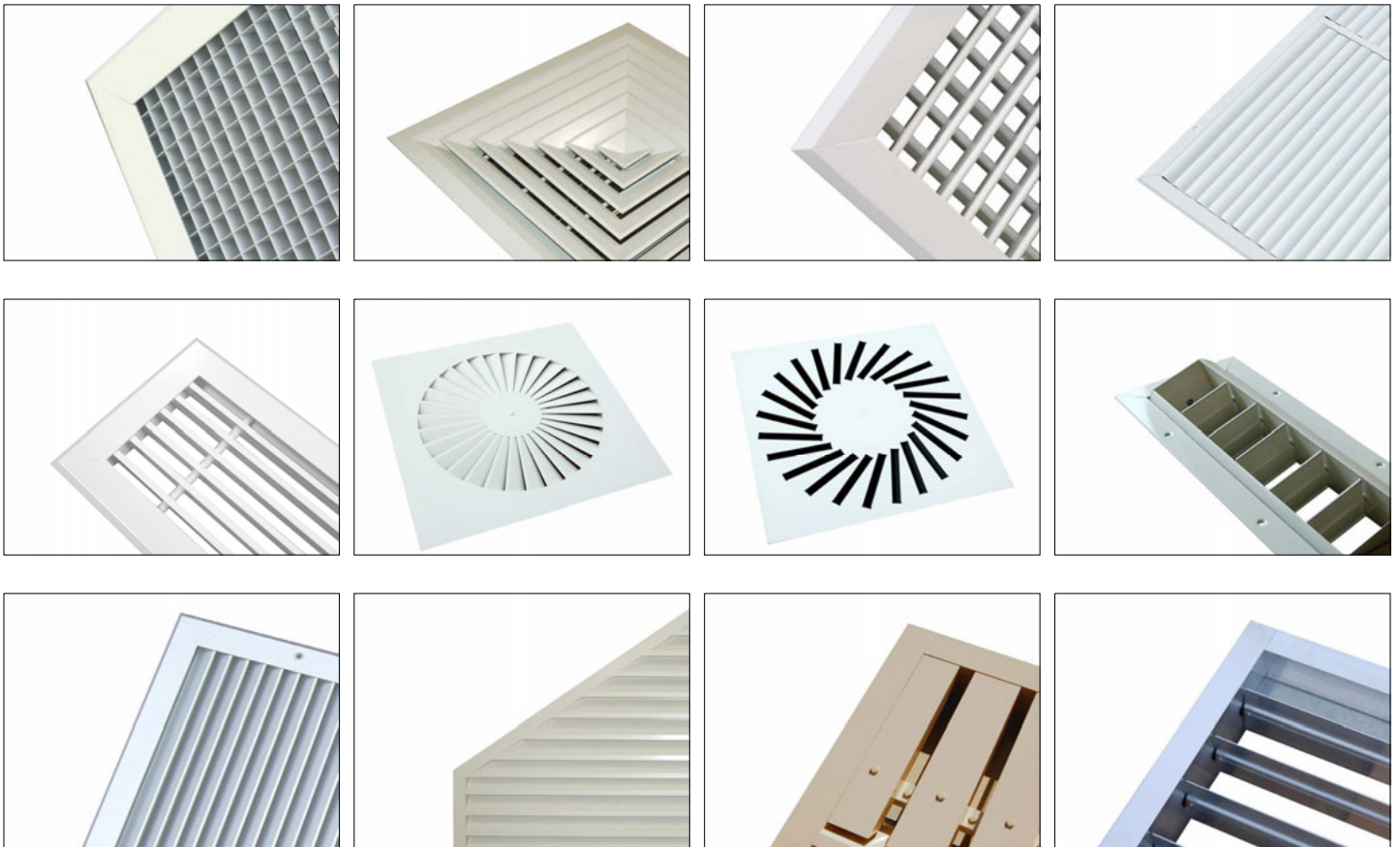
(Required if material code is S)

HVC & NCA products

HVC offer the significant advantage of manufacturing both in duct and duct terminal equipment, making us a one stop shop for all your HVAC needs.

The products shown below are a selection, not an exhaustive list. Go to www.h-v-c.com for details on all HVC and NCA products.

HVC: Grilles, Diffusers, Louvres and Volume Control Dampers



NCA: Fire and Volume Control Dampers





Assessed to ISO 9001
Cert/Ref No. 1186

HVC Supplies (Stourbridge) Ltd
Jason House
Amblecote
West Midlands
DY8 4EY
United Kingdom

Tel: +44 (0)1384 376555
Fax: +44 (0)1384 392555

sales@h-v-c.com

www.h-v-c.com

All details within this brochure are correct at time of publication. However HVC's policy is one of continual product development. The right is reserved to alter any details published in this brochure without any prior notice. Any changes will appear on www.h-v-c.com as soon as is practically possible.

All information in this brochure is designed to be used for informative purposes only. HVC will not be legally bound by anything contained within this publication, or any other information distributed.

All references to companies not part of the HVC group of companies are used with the permission of their respective owners.