



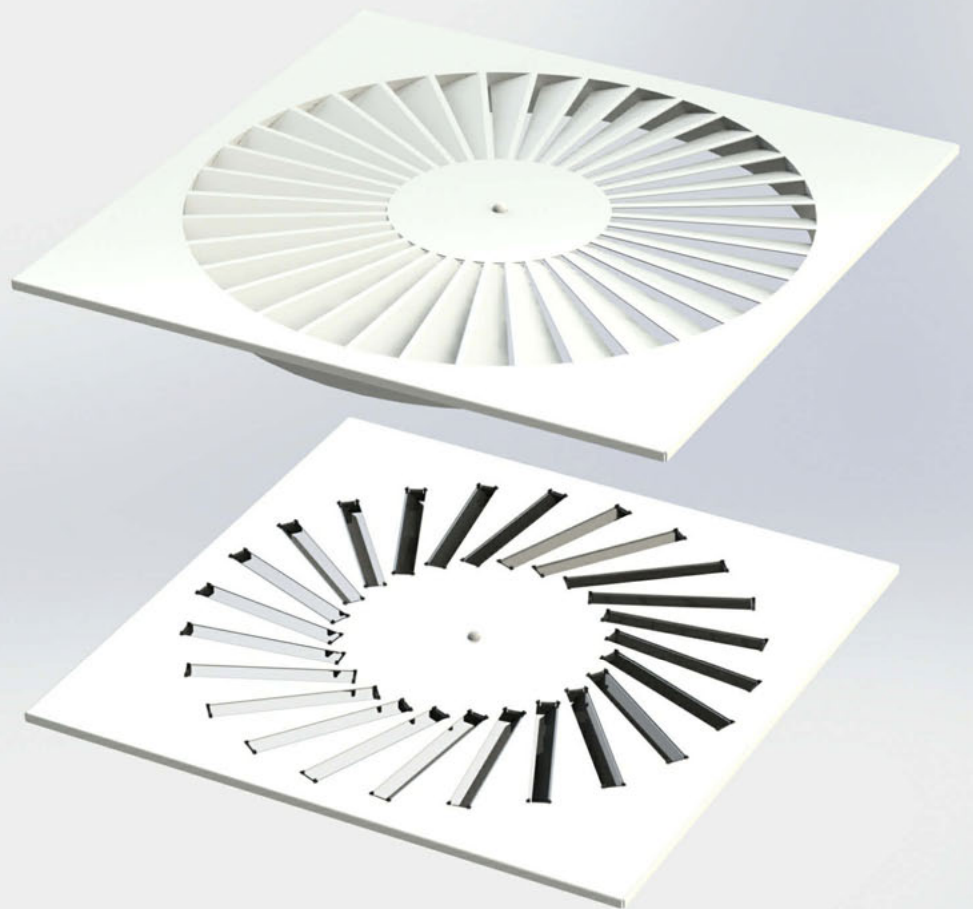
Grilles & Diffusers

Incorporating



Series SWF / SWA Swirl diffusers - Fixed / Adjustable

- Fixed and adjustable models
- All in 595mm x 595mm tile replacer plate
- Stock product
- 360° throw to ensure good mix of supplied and resident air
- Factory fitted plenums with a range of options



Series SWF / SWA

Series SW swirl diffusers are very effective supply units, designed to be mounted into a lay-in grid system.

SWF fixed blade swirls are manufactured from a single sheet of steel, sized 595mm x 595mm overall, with four different core sizes to suit most airflow requirements.

SWA adjustable blade swirls have a fascia formed from a single sheet of steel, but also use individually adjustable blades mounted on moulded plastic holders to allow throw adjustment.

Both types can be factory fitted with plenum boxes, which also have a range of options including acoustic/thermal lining and spigot mounted single blade volume control dampers.

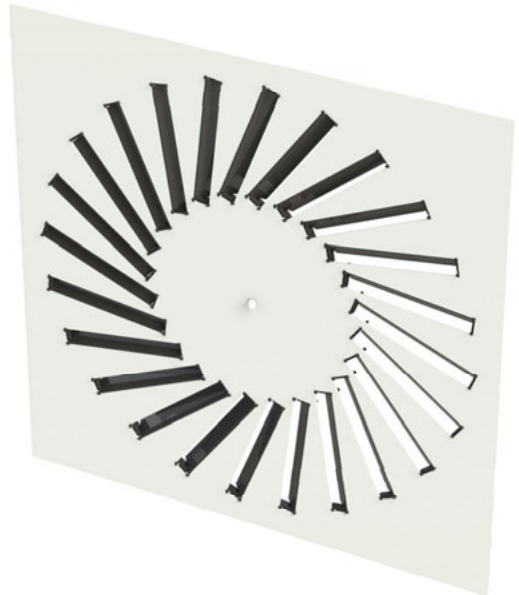


SWF design features

Material	Steel
Blades	Straight edge, fixed
Overall size	595mm x 595mm Suitable for lay in ceilings
Core diameters	254, 356, 457 and 535mm
Mass/unit	3.5kg

SWA design features

Material	Steel fascia and blades Moulded plastic blade mounts
Blades	Black, individually adjustable
Overall size	595mm x 595mm
Core	12, 24 and 36 slot variants
Mass/unit	3.5kg



Quality assurance

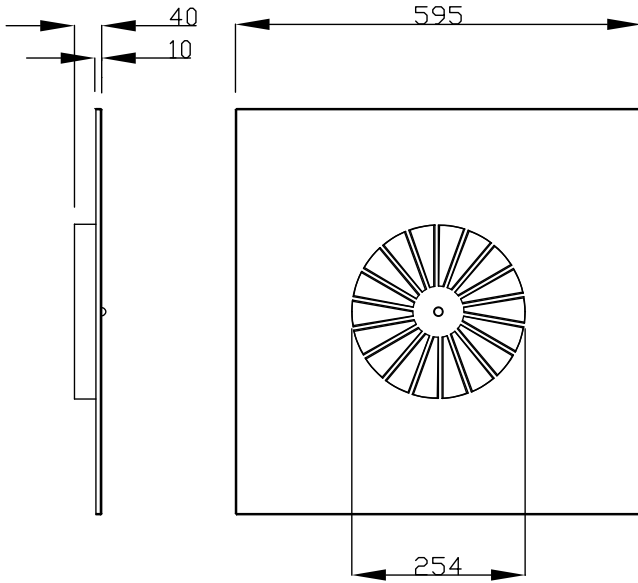
HVC Supplies (Stourbridge) Ltd is an ISO 9001 certified company.



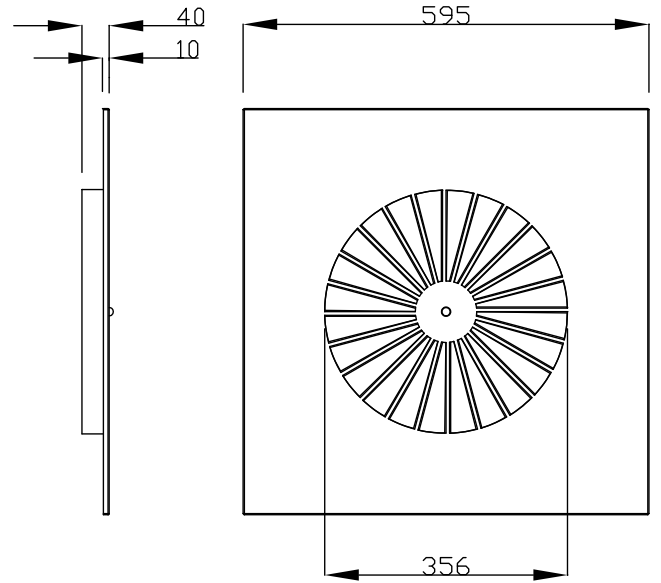
Assessed to ISO 9001
Cert/Ref No. 1186

Technical drawings - SWF

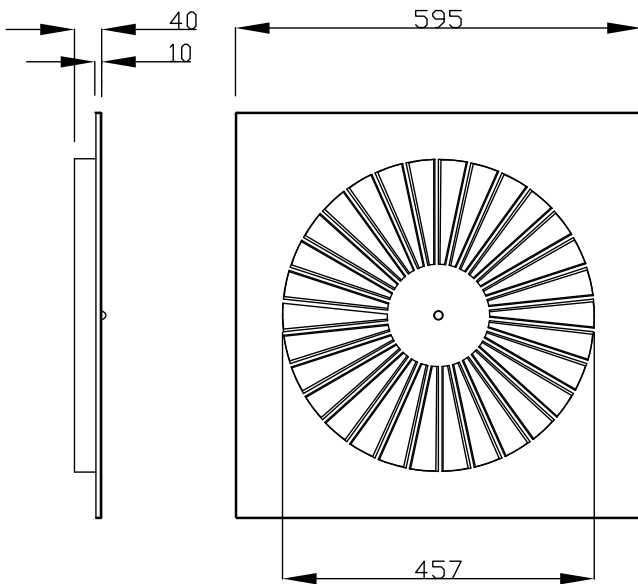
SWF 254 Ø



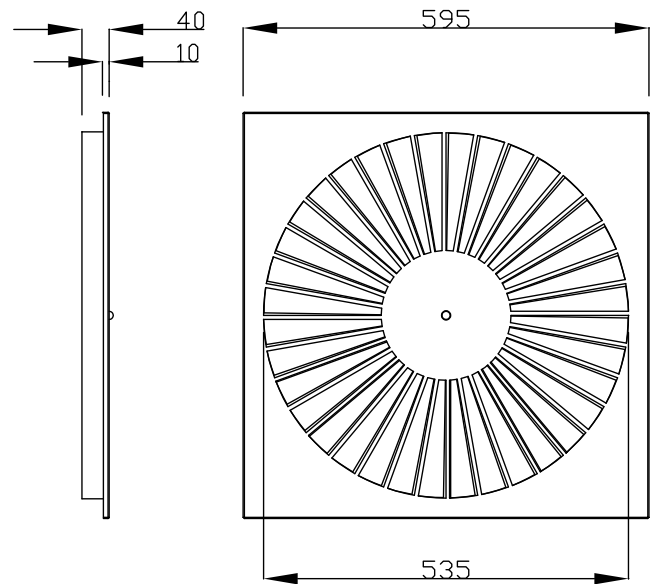
SWF 356 Ø



SWF 456 Ø

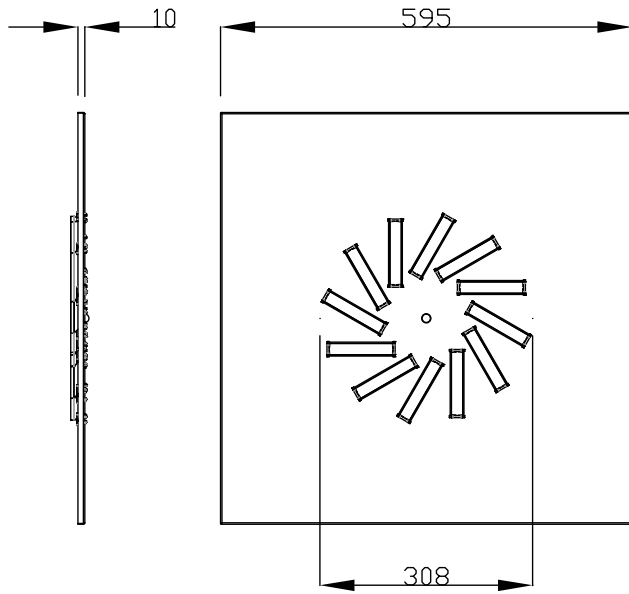


SWF 535 Ø

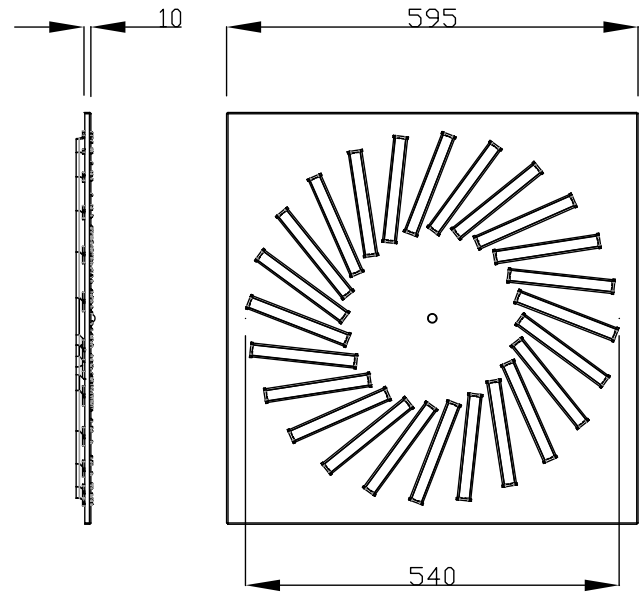


Technical drawings - SWA

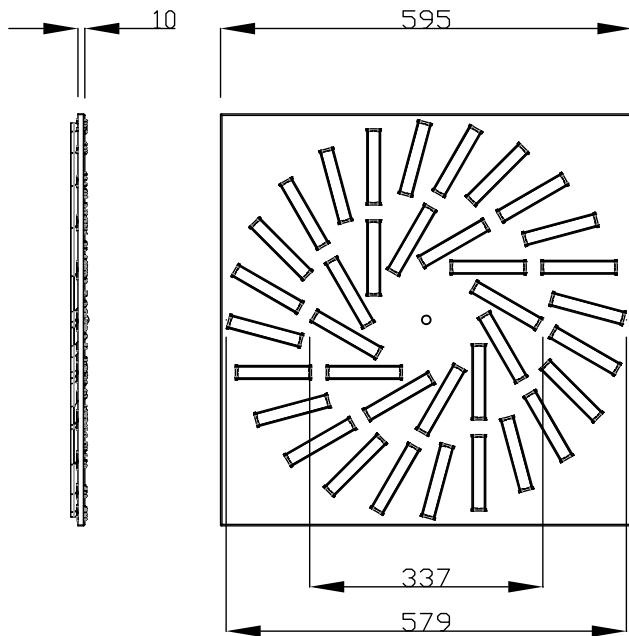
SWA 12 slot



SWA 24 slot



SWA 36 slot



Plenums

Swirl diffusers are normally supplied factory fitted with plenum boxes to facilitate connection to ductwork.

Boxes are fitted with an internal runner holding a nutsert, a long bolt (supplied by HVC) is fitted through a hole in the centre of the swirl diffuser, and screwed into the nutsert.

By tightening the bolt, the swirl is pulled up securely to the box.

Plenums are available with the following range of options:

- Series SBD single blade volume control dampers mounted in the box spigot.
- Internal acoustic lining.
- Matt black internals.

Important note: Swirl diffuser plenum boxes are manufactured with side entry spigots as standard. Models with top entry spigots can be manufactured on request.



Finish

RAL9010 held in stock

Polyester powder coating to any RAL or BS colour



Ordering codes

Example

1 - SWF - 254 Ø - RAL9010 complete with SWB - 200 Ø - INS - SBD

Swirl diffuser ordering codes

1)	Quantity		
2)	Series	SWF SWA	Fixed swirl diffuser Adjustable swirl diffuser
3)	Core diameter / slots	254 Ø 356 Ø 457 Ø 535 Ø 12 slot 24 slot 36 slot	SWF: 254mm core diameter 356mm core diameter 457mm core diameter 535mm core diameter SWA: 12 slot core 24 slot core 36 slot core
4)	Finish	RAL... BS...	Polyester powder coated to RAL... Polyester powder coated to BS...

Plenum box ordering codes

1)	Series	SWB TE-SWB	Side entry plenum box to suit swirl diffusers Top entry plenum box to suit swirl diffusers
2)	Spigot size	(diameter / width x height)	
3)	Spigot arrangement	(nothing) 2OP 2C	Single spigot Two spigots mounted on opposite sides Two spigots mounted on adjacent sides
4)	Acoustic insulation	INS	Internally lined
5)	Internal finish	IN-BLACK	Internally painted RAL9005, matt black
6)	Spigot damper	SBD	Single blade damper in spigot

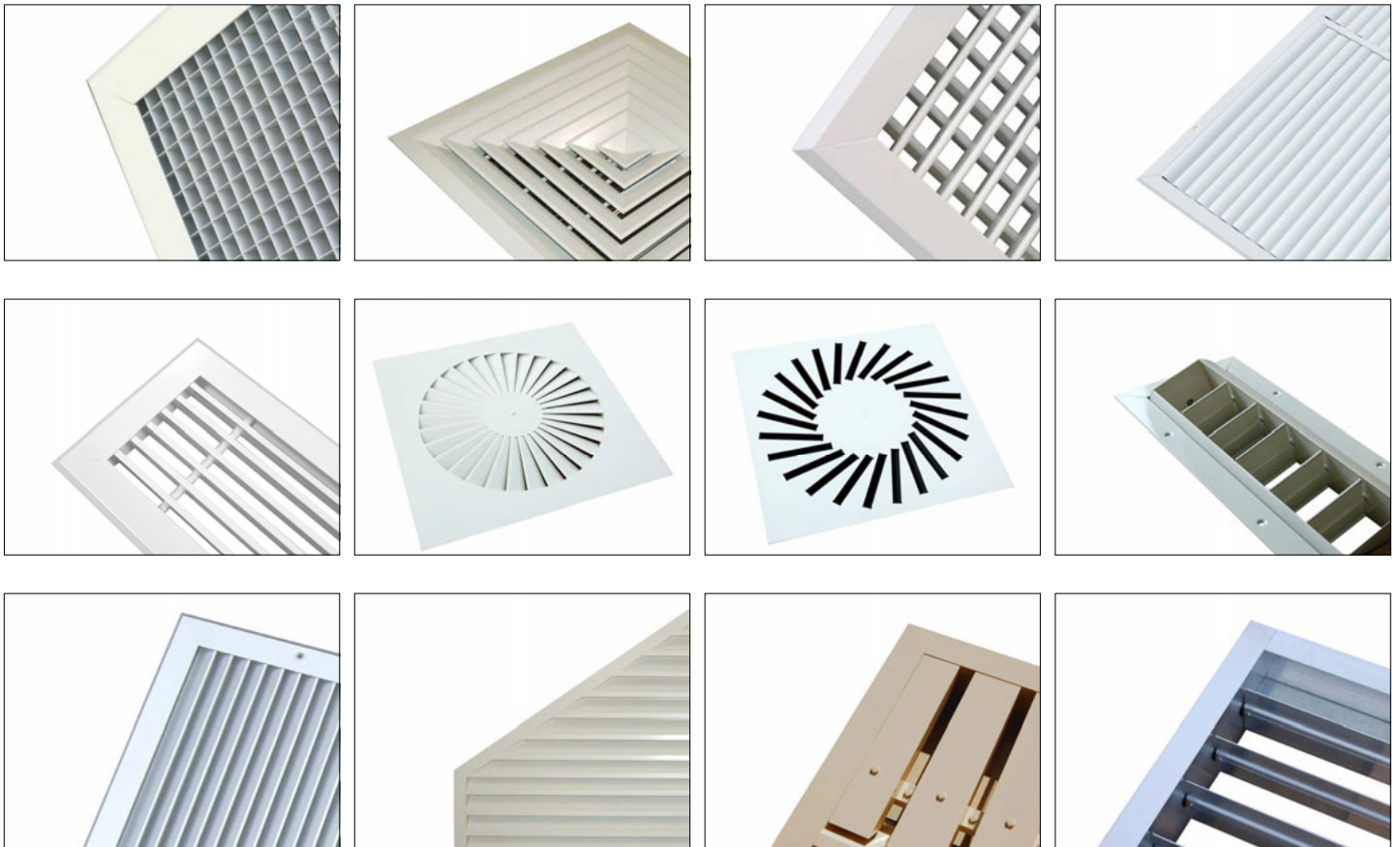
Important note: Swirl diffuser plenum boxes are manufactured with side entry spigots as standard.
Models with top entry spigots can be manufactured on request.

HVC & NCA products

HVC offer the significant advantage of manufacturing both in duct and duct terminal equipment, making us a one stop shop for all your HVAC needs.

The products shown below are a selection, not an exhaustive list. Go to www.h-v-c.com for details on all HVC and NCA products.

HVC: Grilles, Diffusers, Louvres and Volume Control Dampers



NCA: Fire and Volume Control Dampers





Assessed to ISO 9001
Cert/Ref No. 1186

HVC Supplies (Stourbridge) Ltd
Jason House
Amblecote
West Midlands
DY8 4EY
United Kingdom

Tel: +44 (0)1384 376555
Fax: +44 (0)1384 392555

sales@h-v-c.com

www.h-v-c.com

All details within this brochure are correct at time of publication. However HVC's policy is one of continual product development. The right is reserved to alter any details published in this brochure without any prior notice. Any changes will appear on www.h-v-c.com as soon as is practically possible.

All information in this brochure is designed to be used for informative purposes only. HVC will not be legally bound by anything contained within this publication, or any other information distributed.

All references to companies not part of the HVC group of companies are used with the permission of their respective owners.